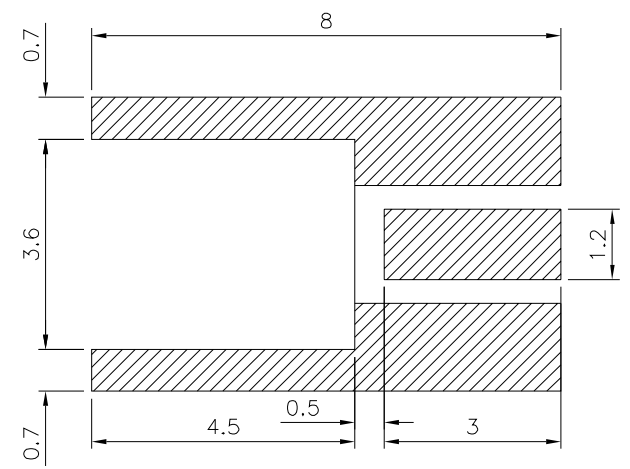
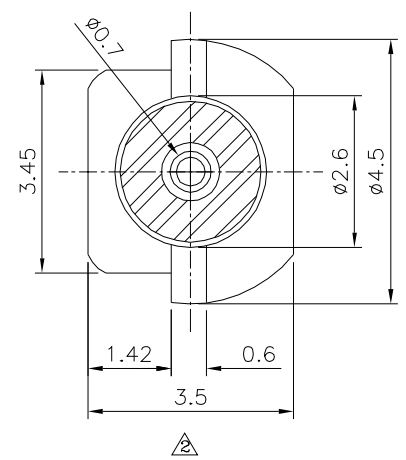
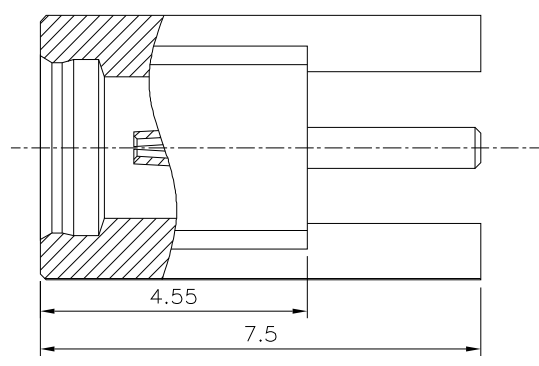


△△ SPECIFICATION

Impedance:50 Ohms
 Frequency Range:DC~6GHz
 V.S.W.R:1.3 Max.
 Working Voltage:170V
 Dielectric Withstand Voltage:500V AC For 1 Minute
 Insulation Resistance:1000 Megohms Min.
 Contact Resistance:Center Contact:5.0 Milliohms Max.
 Outer Contact:2.5 Milliohms Max.
 Durability:500 Matings Min.
 Temperature Range:-65°C~+165°C
 Body:Brass,Gold Flash Over Nickel
 Insulator:Teflon
 Center Pin:Beryllium Copper,Gold Flash Over Nickel
 RoHS Compliant



Recommended P.C.B. Layout



4UCON 元化興業股份有限公司
 4UCON TECHNOLOGY INC.

DRAWING No.		APPROVED BY		UNLESS OTHERWISE SPECIFIED TOLERANCES ARE X. ±0.1 .X ±0.1 .XX ±0.1
21486		MEI		
		CHECKED BY HZF		
SCALE		DRAWING BY		UNIT mm
NONE		CYP		
REV.	A2	NO. REV.		REVISIONS
		CHK	DATE	

△ A2	Modify Data	HZF	04/10/2025
△ A1	Modify Data	HZF	11/14/2018
△ A0	NEW RELEASE	HZF	04/25/2018