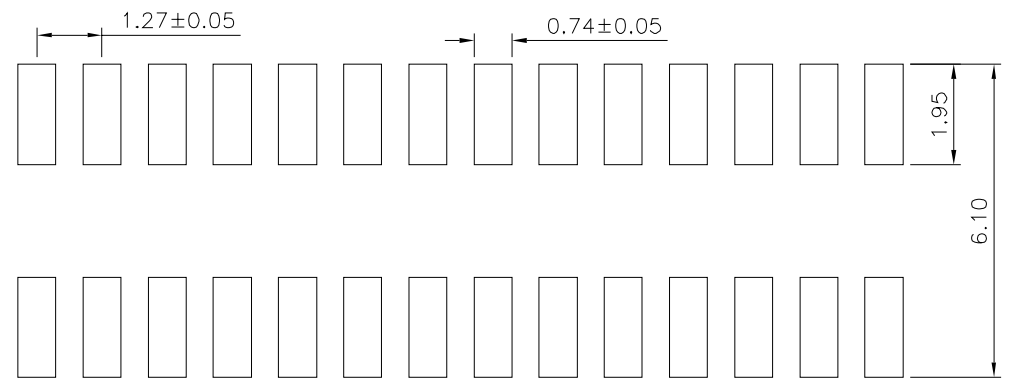
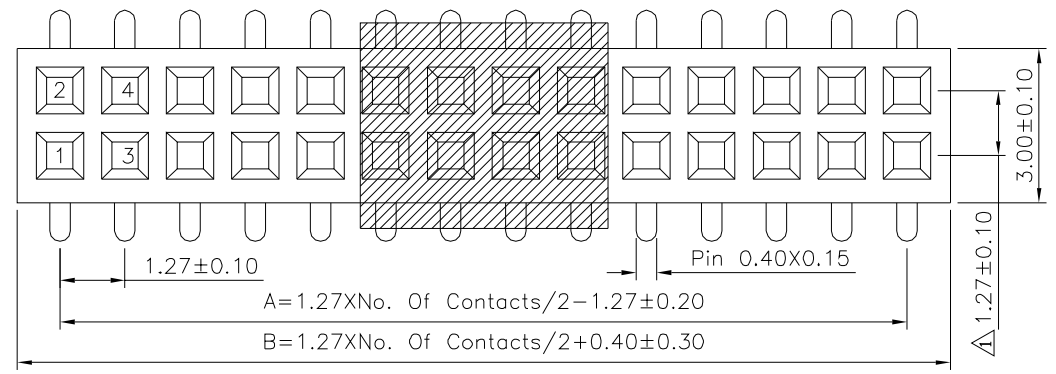


SPECIFICATION

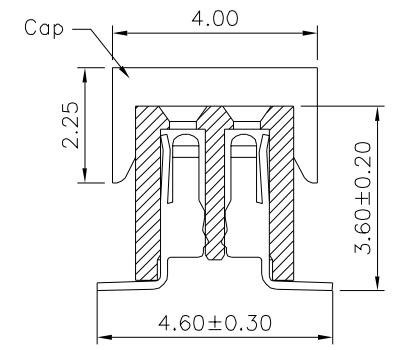
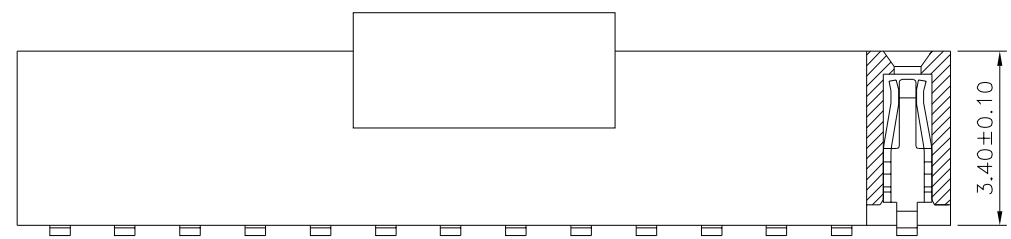
Current Rating:1A
 Withstand Voltage:500V AC/Minute
 Contact Resistance:20 Milliohms Max.
 Insulation Resistance:1000 Megaohms Min.
 Operating Temperature:-40°C~+105°C
 Insulator:PA6T+30%G.F.(UL94V-0),Black
 Contact:Phosphor Bronze,Gold Flash Over Nickel
 RoHS Compliant



Recommended P.C.B. Layout



Pin	A	B	Pin	A	B
04	1.27	2.94	54	33.02	34.69
06	2.54	4.21	56	34.29	35.96
08	3.81	5.48	58	35.56	37.23
10	5.08	6.75	60	36.83	38.50
12	6.35	8.02	62	38.10	39.77
14	7.62	9.29	64	39.37	41.04
16	8.89	10.56	66	40.64	42.31
18	10.16	11.83	68	41.91	43.58
20	11.43	13.10	70	43.18	44.85
22	12.70	14.37	72	44.45	46.12
24	13.97	15.64	74	45.72	47.39
26	15.24	16.91	76	46.99	48.66
28	16.51	18.18	78	48.26	49.93
30	17.78	19.45	80	49.53	51.20
32	19.05	20.72	82	50.80	52.47
34	20.32	21.99	84	52.07	53.74
36	21.59	23.26	86	53.34	55.01
38	22.86	24.53	88	54.61	56.28
40	24.13	25.80	90	55.88	57.55
42	25.40	27.07	92	57.15	58.82
44	26.67	28.34	94	58.42	60.09
46	27.94	29.61	96	59.69	61.36
48	29.21	30.88	98	60.96	62.63
50	30.48	32.15	100	62.23	63.90
52	31.75	33.42			



4UCON

元化興業股份有限公司
 4UCON TECHNOLOGY INC.

DRAWING No.		APPROVED BY	
21004		MEI	
		CHECKED BY	
		HZF	
DRAWING BY		CYP	
SCALE	NONE	REV.	A1

UNLESS OTHERWISE SPECIFIED TOLERANCES ARE
 .X ±0.30
 .XX ±0.20
 UNIT mm

NO.	REV.	REVISIONS	CHK	DATE
△	A1	Modify Data	HZF	03/23/2017
△	A0	NEW RELEASE	HZF	04/13/2015