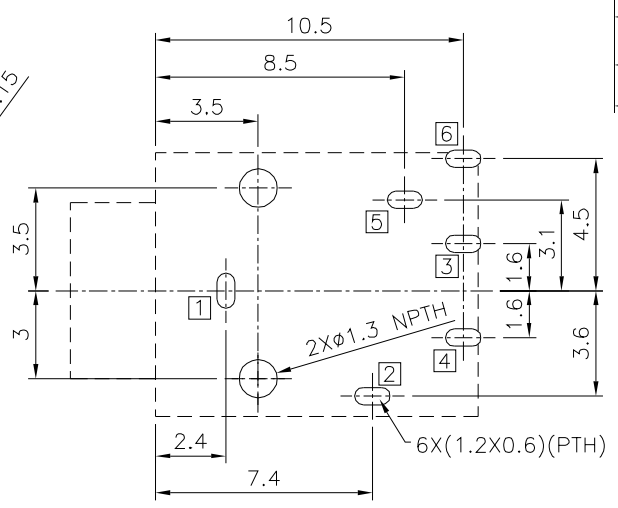
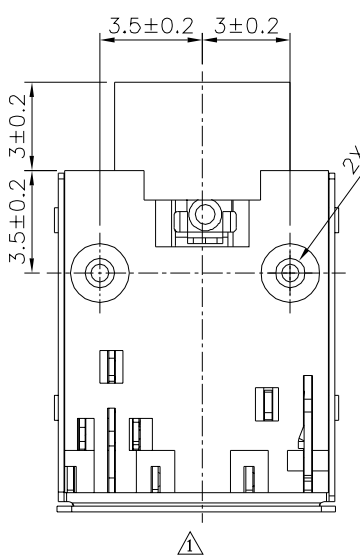


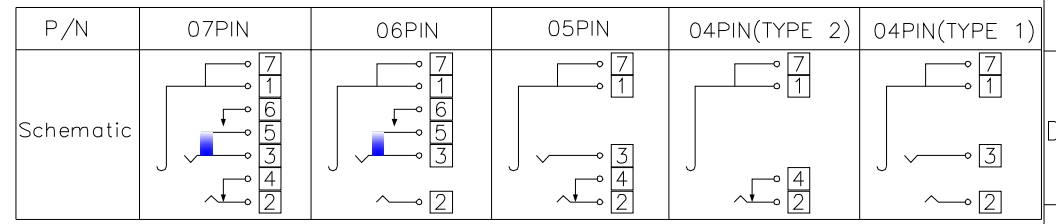
△ SPECIFICATION
 Rating: DC 30V, 0.5A
 Contact Resistance: 30 Milliohms Max.
 After Test: 50 Milliohms Max.
 Insulation Resistance: 100 Megaohms Min. (500V DC)
 After Test: 50 Megaohms Min.
 Withstand Voltage: 500V AC
 Operation Temperature Range: -20°C ~ +70°C
 RoHS Compliant



Matching Plug



Recommended P.C.B. Layout (Top View)



⑧	Shell	⑦	1	Phosphor Bronze	Nickel Plated
⑦	Make Terminal	⑥	1	Phosphor Bronze	Silver Plated
⑥	Transfer Terminal	⑤	1	Phosphor Bronze	Silver Plated
⑤	Shunt Terminal	④	1	Brass	Silver Plated
④	Ring Spring	③	1	Phosphor Bronze	Silver Plated
③	Tip Spring	②	1	Phosphor Bronze	Silver Plated
②	Earth Spring	①	1	Phosphor Bronze	Silver Plated
①	Housing	1	1	PA10T, UL94V-0	Black
No.	Description	Q'ty		Material	Remark

4UCON 元化興業股份有限公司
 4UCON TECHNOLOGY INC.

DRAWING No.		APPROVED BY		UNLESS OTHERWISE SPECIFIED TOLERANCES ARE X. ±0.3 .X ±0.3 .XX ±0.3 ANG. ±2°
20906		MEI		
		CHECKED BY	HZF	
SCALE	NONE	DRAWING BY	SONG	
REV.	A1			UNIT mm

△ A1	Modify Data		HZF	12/04/2023
△ A0	NEW RELEASE		HZF	08/27/2012
NO. REV.	REVISIONS	CHK	DATE	