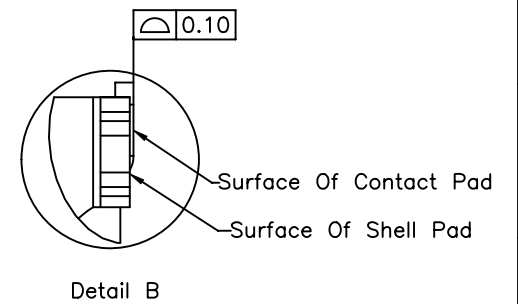
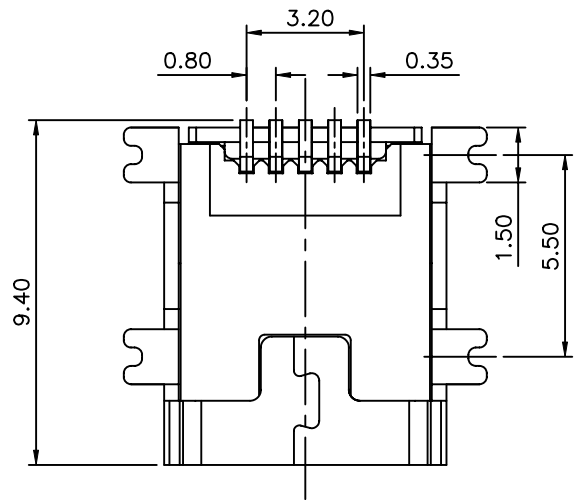
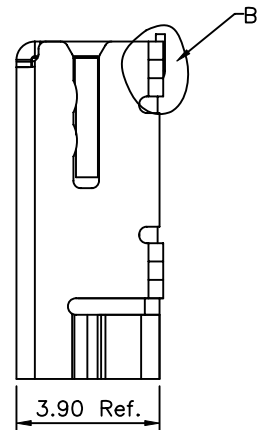
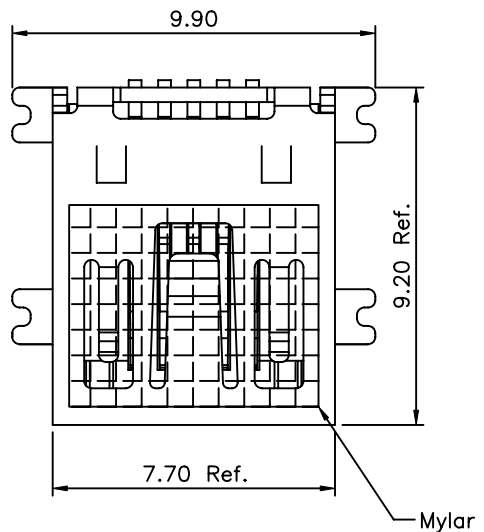
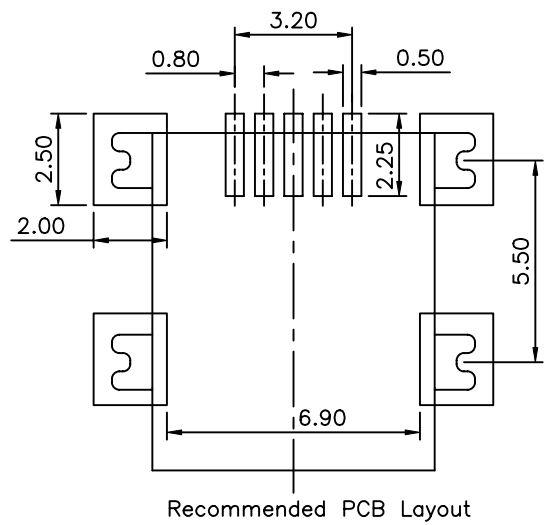
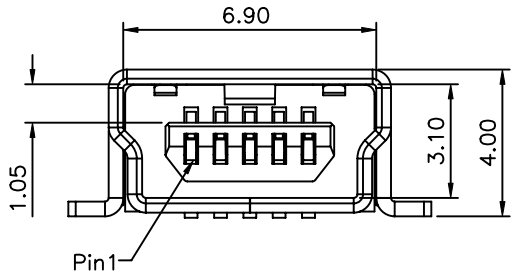


SPECIFICATION

Current Rating:1A Max.
 Dielectric Withstanding Voltage:100V AC For 1 Minute
 Contact Resistance:50 Milliohms Max.
 Insulation Resistance:100 Megaohms Min.
 Temperature Range:-55°C~+85°C
 Total Mating Force:3.57Kgf Max.
 Total Unmating Force:0.7Kgf Min. After Durability
 5000 Cycles,0.3Kgf Min.

△Contact:C5191-EH
 Gold Flash On Contact Area,
 Tin Plated On Solder Tail,Under Nickel
 Shell:C2680R-H,Nickel Plated Over All
 Insulator:LCP+30%G.F,UL94V-0,Black
 RoHS Compliant

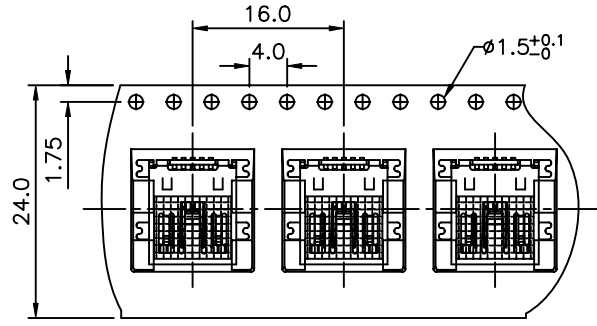


4UCON 元化興業股份有限公司
 4UCON TECHNOLOGY INC.

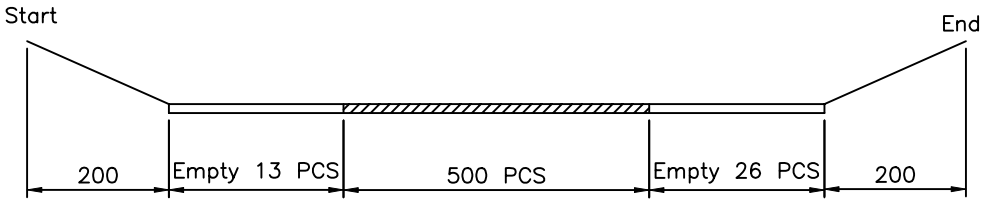
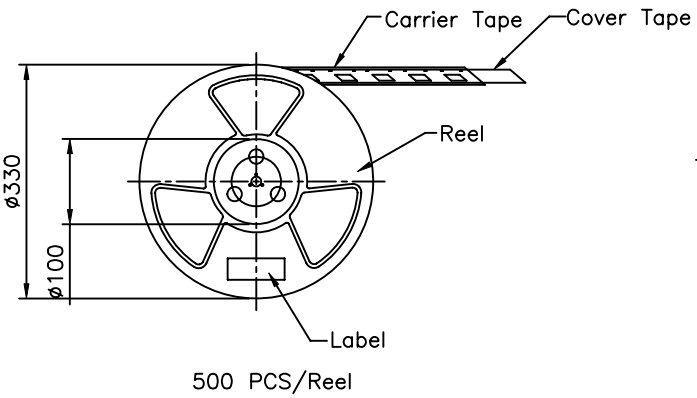
DRAWING No.		APPROVED BY		UNLESS OTHERWISE SPECIFIED TOLERANCES ARE
20084		EMILY		
		CHECKED BY		
		HZF		
		DRAWING BY		.X ±0.38 .X* ±1.0°
		WSS		.XX ±0.25 .XX* ±0.5°
				.XXX ±0.13 .XXX* ±0.2°
SCALE	NONE	REV.	A1	UNIT
				mm

NO.	REV.	REVISIONS	CHK	DATE
△A1		Modify Data	HZF	03/04/2011
△A0		NEW RELEASE	HZF	02/22/2009

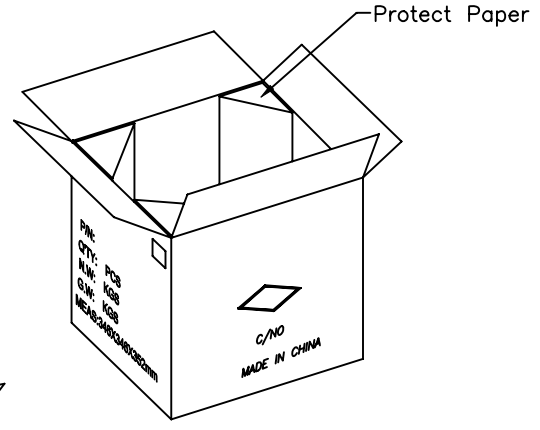
RoHS Compliant



Tape Running Direction

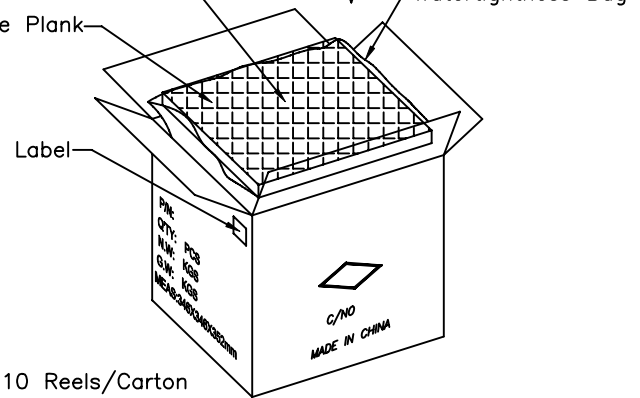


User Direction Of Feed



Dryer

The Reel Label Is Upward
The Paper Separate Plank



10 Reels/Carton
5000 PCS/Carton

4UCON 元化興業股份有限公司
4UCON TECHNOLOGY INC.

DRAWING No.
20084

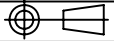
APPROVED BY
EMILY
CHECKED BY
HZF
DRAWING BY
WSS

UNLESS OTHERWISE SPECIFIED TOLERANCES ARE
.X ±0.38 .X* ±1.0°
.XX ±0.25 .XX* ±0.5°
.XXX ±0.13 .XXX* ±0.2°
UNIT mm

NO.	REV.	REVISIONS	CHK	DATE
△A1		Modify Data	HZF	03/04/2011
△A0		NEW RELEASE	HZF	02/22/2009

SCALE NONE

REV. A1



NO. REV. REVISIONS CHK DATE