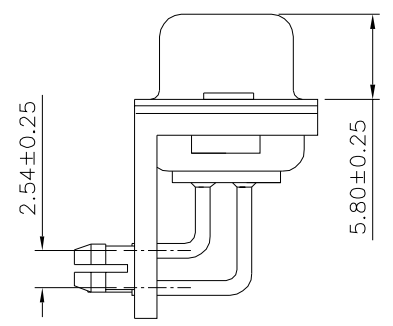
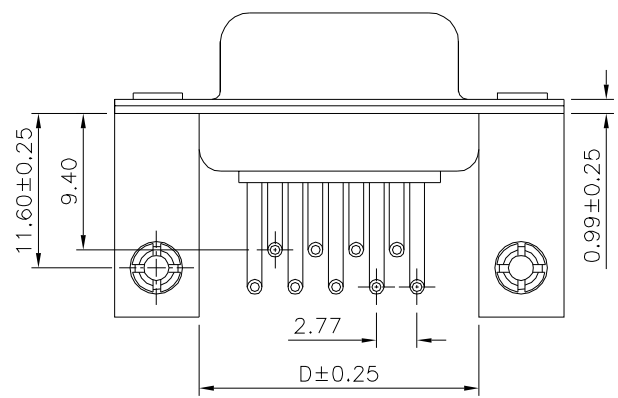
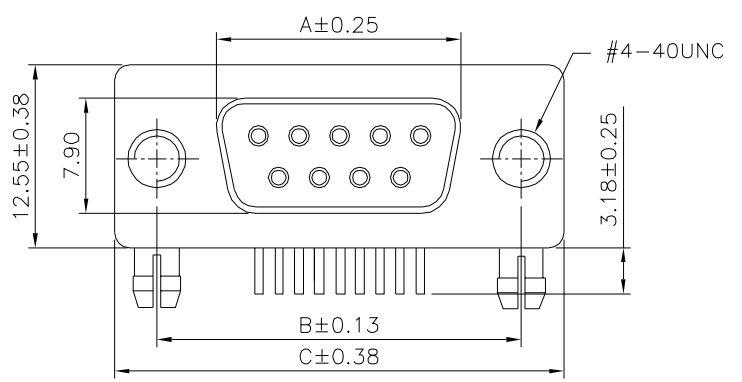


Recommended P.C.B. Layout



SPECIFICATION

Dielectric Withstanding Voltage:1000V AC Per Minute
 Contact Resistance:10 Milliohms Max.
 Insulation Resistance:5000 Megaohms Min.
 Operation Temperature:-55°C~+125°C
 Insulator:PBT+30%G.F.(UL94V-0)
 Contact:Brass,Gold Flash Over Nickel
 Metal Shell:Steel,Tin Plated
 Metal Bracket:Steel,Nickel Plated
 Boardlock:Brass,Nickel Plated
 RoHS Compliant

Pin	A	B	C	D	E
09	16.33	24.99	30.81	19.28	11.08
15	24.66	33.32	39.14	27.51	19.39
25	38.38	47.04	53.04	41.28	33.24
37	54.84	63.50	69.32	57.71	49.86

4UCON 元化興業股份有限公司
 4UCON TECHNOLOGY INC.

DRAWING No.		APPROVED BY		UNLESS OTHERWISE SPECIFIED TOLERANCES ARE .X ±0.3 .XX ±0.3 ANG. ±2°
19357		MEI		
		CHECKED BY HZF		
DRAWING BY CYP		DRAWING BY CYP		UNIT mm
SCALE	NONE	REV.	A0	

△ A0	NEW RELEASE	HZF	09/02/2015
NO. REV.	REVISIONS	CHK	DATE