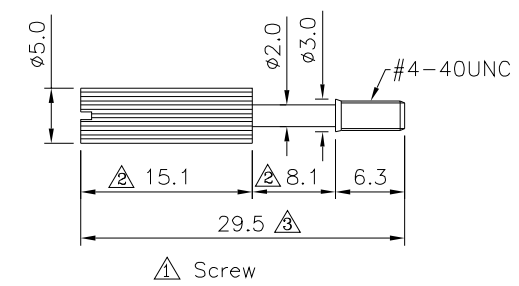
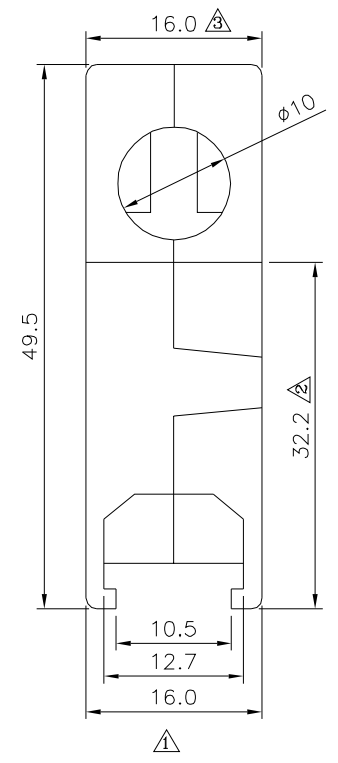
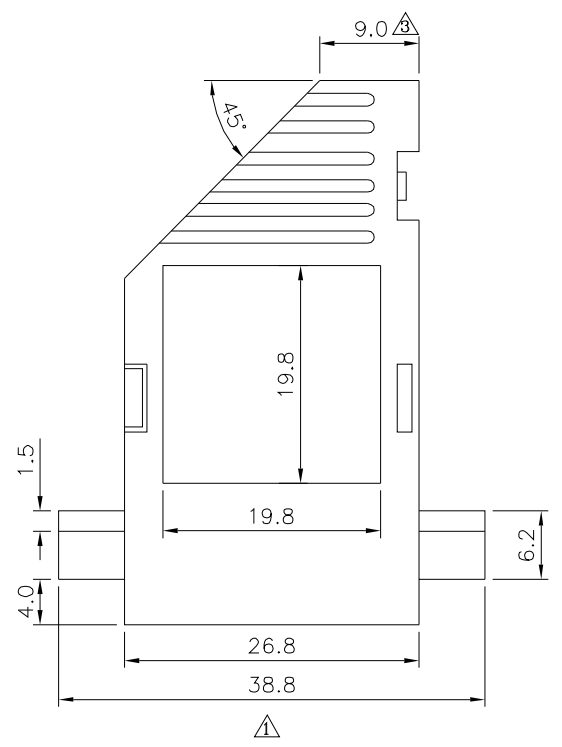
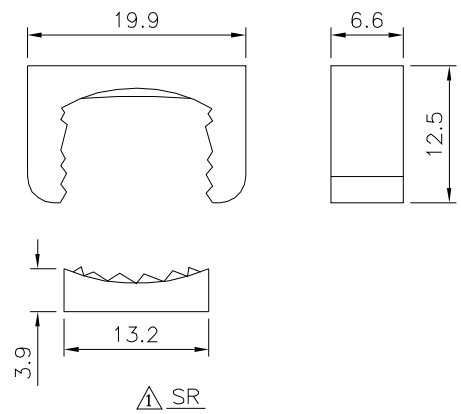
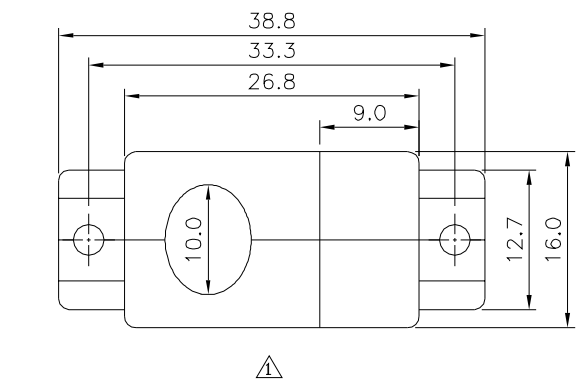


**△ SPECIFICATION**  
 Insulator:ABS(UL94-HB),Gray  
 Screw&SR:Steel,Nickel Plated  
 Packing:One Set/Bag  
 RoHS Compliant



**4UCON** 元化興業股份有限公司  
 4UCON TECHNOLOGY INC.

DRAWING No. △		APPROVED BY		UNLESS OTHERWISE SPECIFIED TOLERANCES ARE X. ±0.5 .X ±0.3 .XX ±0.2 ANG. ±5°
19236		EMILY		
		CHECKED BY		
		HZF		
		DRAWING BY		
		HAO		
SCALE	NONE	REV.	A3	UNIT
				mm

NO.	REV.	REVISIONS	CHK	DATE
△3	A3	Modify Data	HZF	05/26/2022
△2	A2	Modify Data	HZF	10/20/2014
△1	A1	Modify Data	HZF	07/09/2012
△0	A0	NEW RELEASE	HZF	06/10/2008