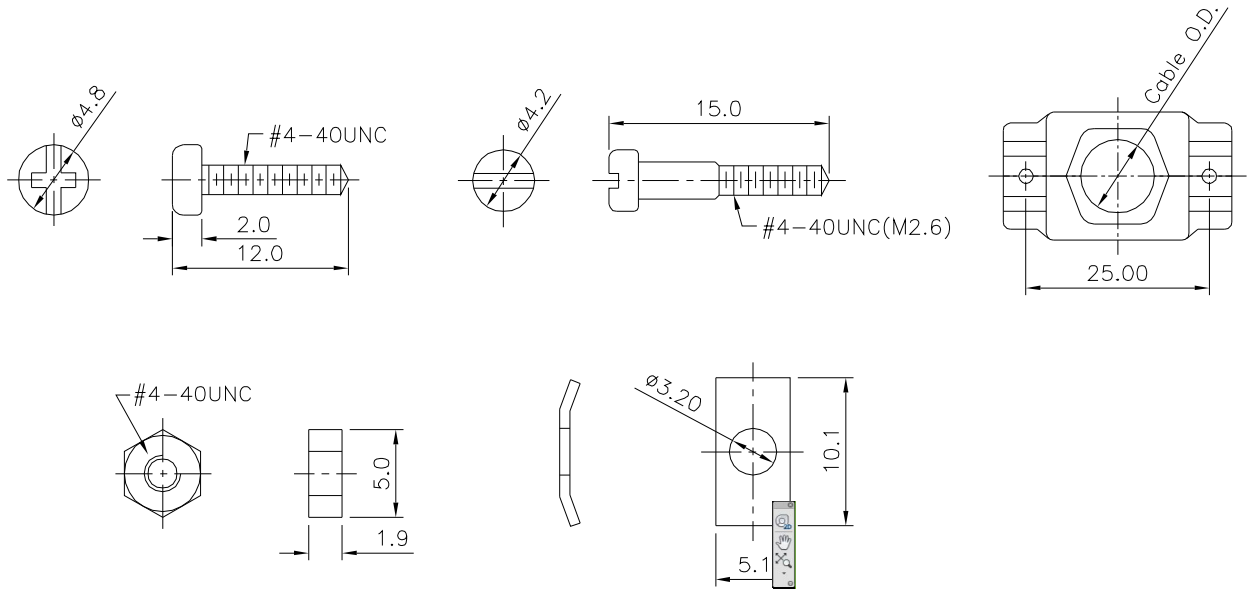
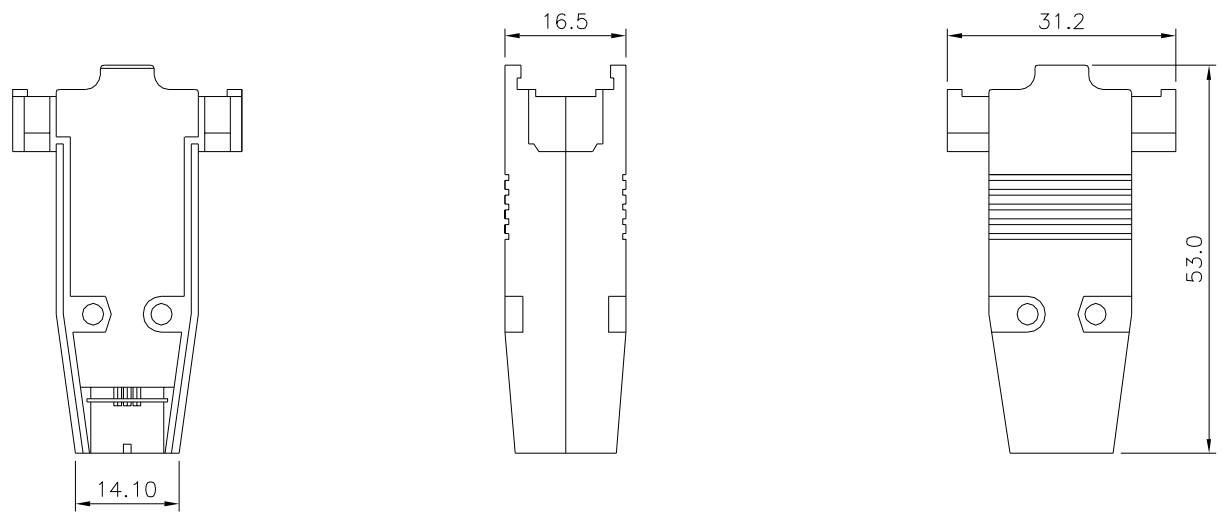


SPECIFICATION

Shell: Zinc Alloy, Chromate Plated
 Accessories(2 PCS/Set): Steel, Nickel Plated Over All
 RoHS Compliant

Cable O.D.	10mm	11mm
------------	------	------



4U CON 元化興業股份有限公司
 4U CON TECHNOLOGY INC.

DRAWING No.		APPROVED BY		UNLESS OTHERWISE SPECIFIED TOLERANCES ARE X. ± 0.5 .X ± 0.3 .XX ± 0.2 ANG. $\pm 5^\circ$
19134		EMILY		
		CHECKED BY		
		HZF		
		DRAWING BY		UNIT mm
		SONG		
SCALE	NONE	REV.	A0	

NO.	REV.	REVISIONS	CHK	DATE
△ A0		NEW RELEASE	HZF	01/20/2011