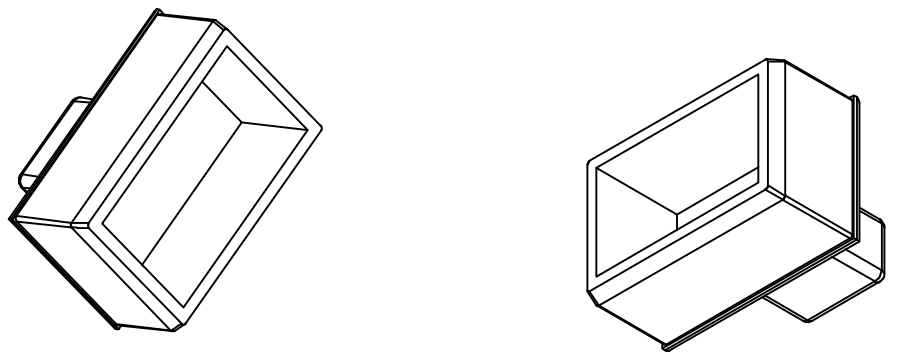
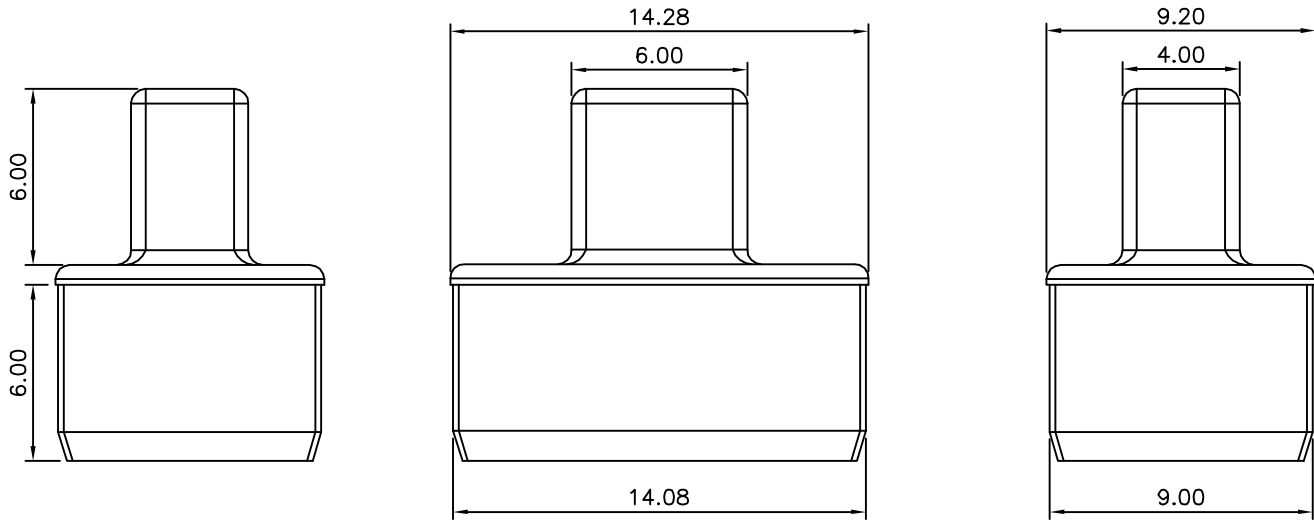


SPECIFICATION
 Housing:PVC(UL94V-0),Black
 RoHS Compliant



4UCON 元化興業股份有限公司
 4UCON TECHNOLOGY INC.

DRAWING No.		APPROVED BY		UNLESS OTHERWISE SPECIFIED TOLERANCES ARE .X ±0.20 .XX ±0.10 .XXX ±0.05 ANG. ±3°
13367		MEI		
		CHECKED BY		
HZF		DRAWING BY		
SONG		A0		UNIT
SCALE	NONE	REV.	A0	mm

NO.	REV.	REVISIONS	CHK	DATE
△ A0		NEW RELEASE	HZF	05/01/2013