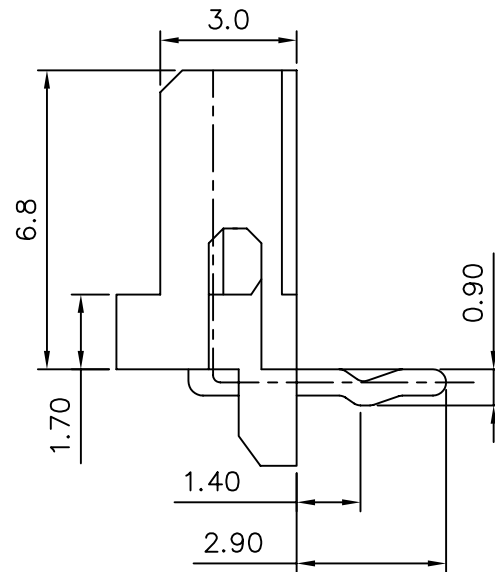
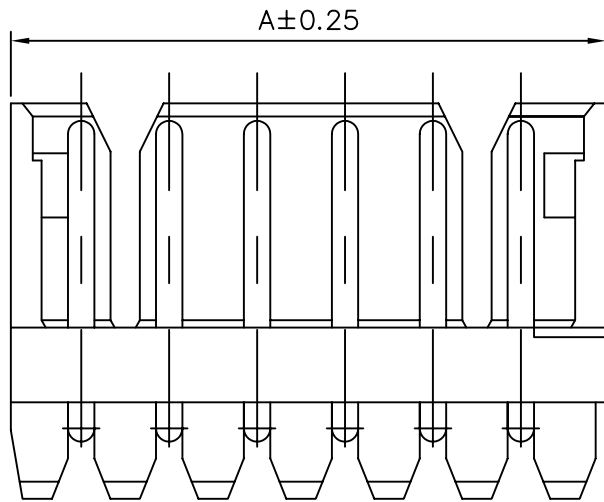
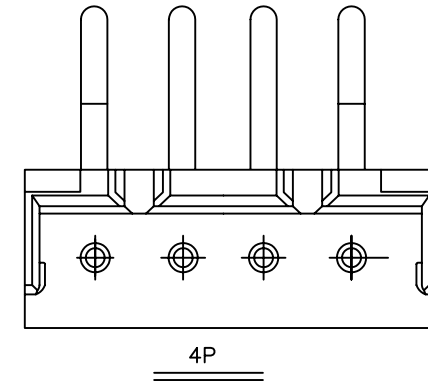
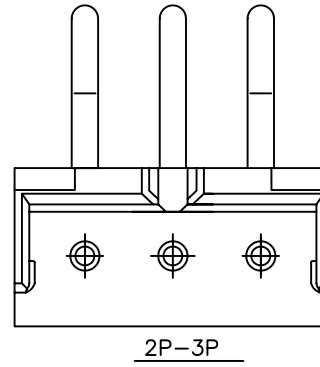
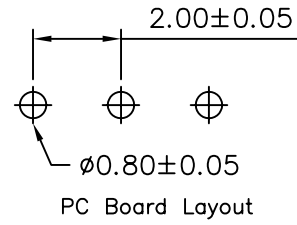
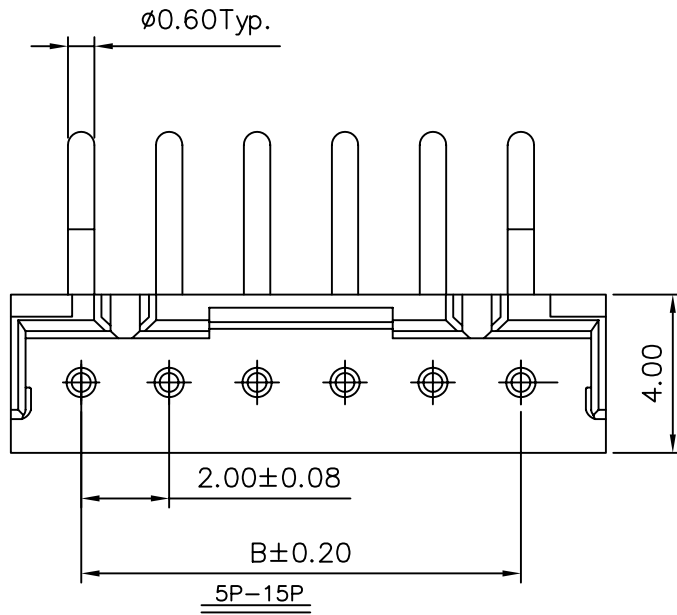


**SPECIFICATIONS**

Insulator Material : Nylon 66 ,UL 94V-0  
 Contact Material : Brass Tin Plated  
 Q'ty:1000 PCS/BAG  
 Circuits:2~15



Circuits	A	B
2	6.00	2.00
3	8.00	4.00
4	10.00	6.00
5	12.00	8.00
6	14.00	10.00
7	16.00	12.00
8	18.00	14.00
9	20.00	16.00
10	22.00	18.00
11	24.00	20.00
12	26.00	22.00
13	28.00	24.00
14	30.00	26.00
15	32.00	28.00

**4UCON** 元化興業股份有限公司  
 4UCON TECHNOLOGY INC.

DRAWING No.  
 11544

APPROVED BY MEI  
 CHECKED BY BECKY  
 DRAWING BY HZF

UNLESS OTHERWISE SPECIFIED TOLERANCES ARE  
 .X ±0.25  
 .XX ±0.15  
 .XXX ±0.08  
 UNIT mm

SCALE NONE

REV. A0

NO. REV.

NEW RELEASE REVISIONS

MEI DATE

CHK