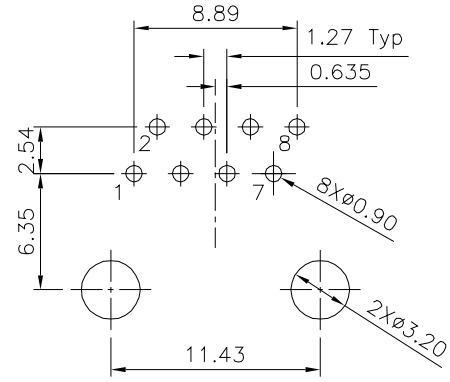
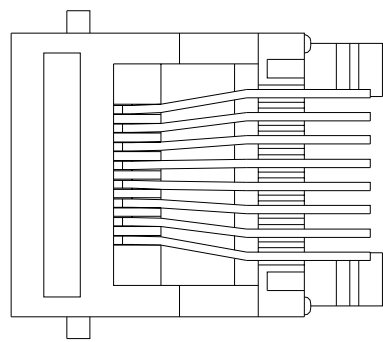
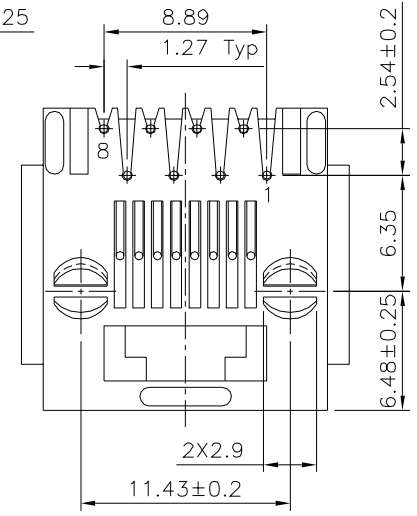
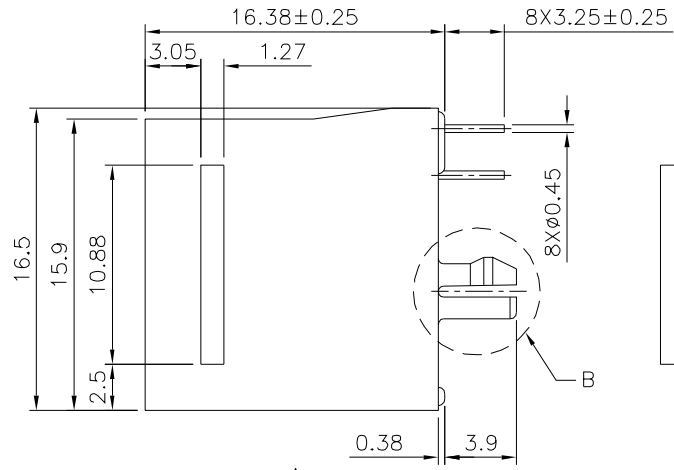
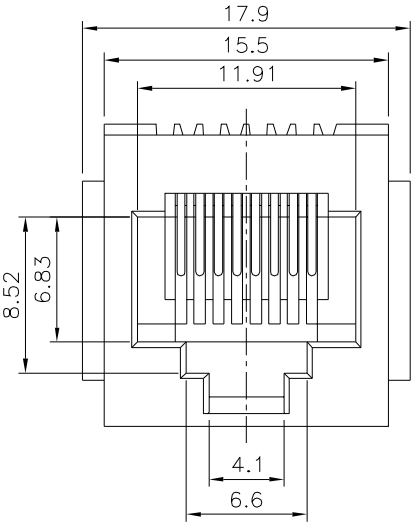


Detail B



Recommended P.C.B. Layout (Top View)
PCB Thickness: 1.6mm, Tolerance ±0.05

SPECIFICATION
 Current Rating: 1.5A Max.
 Voltage Rating: 150V AC Max.
 Operating Temperature: -40°C ~ +85°C
 Relative Humidity: 70% ±10%RH
 Insulation Resistance: 500 Megaohms Min. Initial
 At 500V DC
 Contact Resistance: 20 Milliohms Max. Initial
 30 Milliohms Max. Final
 Durability: 750 Cycles
 Dielectric Withstanding Voltage:
 1000V RMS. At 60Hz, 1 Minute Between
 Adjacent Contacts
 1500V RMS. At 60Hz, 1 Minute Between
 Shield And Contacts
 Housing: PBT+G.F. (UL94V-0), Black
 Contact: Phosphor Bronze
 Gold Plated 06u" Over All, Over Nickel
 Cavity Conforms To FCC Rules And
 Regulations Part 68, Subpart F.
 RoHS Compliant



4UCON 元化興業股份有限公司
4UCON TECHNOLOGY INC.

DRAWING No.

11273

SCALE NONE

APPROVED BY

MEI

CHECKED BY

HZF

DRAWING BY

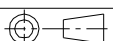
CYP

REV.

A3

UNLESS OTHERWISE SPECIFIED TOLERANCES ARE
 .X ±0.25
 .XX ±0.13
 .XXX ±0.05

UNIT mm



	A3	Modify Data	HZF	03/03/2016
	A2	Modify Data	HZF	04/08/2015
	A1	Modify Data	HZF	08/13/2010
	A0	NEW RELEASE	HZF	11/06/2006
NO. REV.	REVISIONS		CHK	DATE