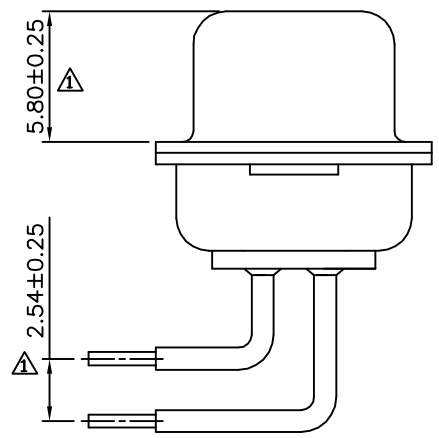
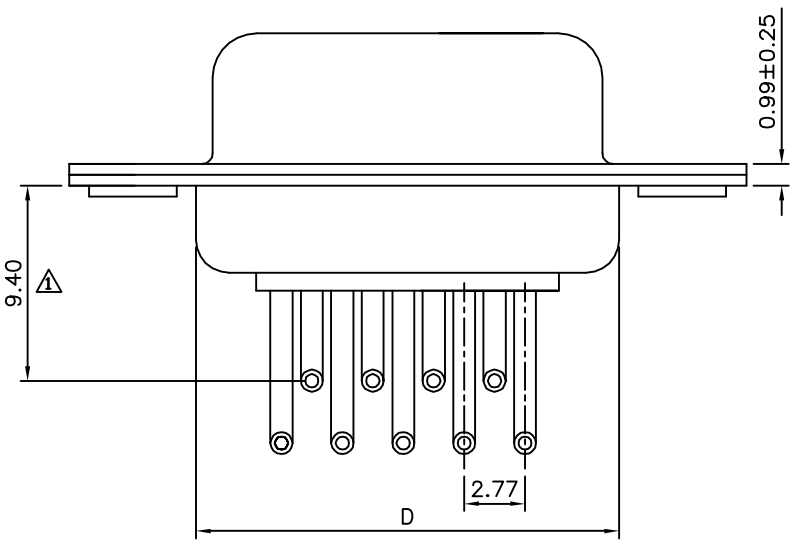


Recommended P.C.B. Layout

**△△ SPECIFICATION**  
 Withstand Voltage:1000V AC Per Minute  
 Contact Resistance:10 Milliohms Max.  
 Insulation Resistance:5000 Megaohms Min.  
 Operation Temperature Range:-55°C~+125°C  
 Insulator:PBT+30%G.F.(UL94V-0)  
 Contact:Brass,Gold Flash Over Nickel  
 Metal Shell:Steel,Tin Plated  
 RoHS Compliant



Pin	A±0.25	B±0.13	C±0.38	D±0.25	E±0.25
09	16.33	24.99	30.81	19.28	11.08
15	24.66	33.32	39.14	27.51	19.39
25	38.38	47.04	53.04	41.28	33.24
37	54.84	63.50	69.32	57.71	49.86

**4UCON** 元化興業股份有限公司  
 4UCON TECHNOLOGY INC.

DRAWING No.		APPROVED BY		UNLESS OTHERWISE SPECIFIED TOLERANCES ARE .XX ±0.3 .XXX ±0.3 ANG. ±2°
10918		EMILY		
		CHECKED BY		
		HZF		
		DRAWING BY		
		WSS		
SCALE	NONE	REV.	A2	UNIT
				mm

NO.	REV.	REVISIONS	CHK	DATE
△A2		Modify Data	HZF	03/05/2015
△A1		Modify Data	HZF	06/03/2011
△A0		NEW RELEASE		