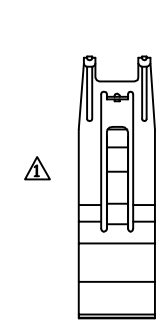
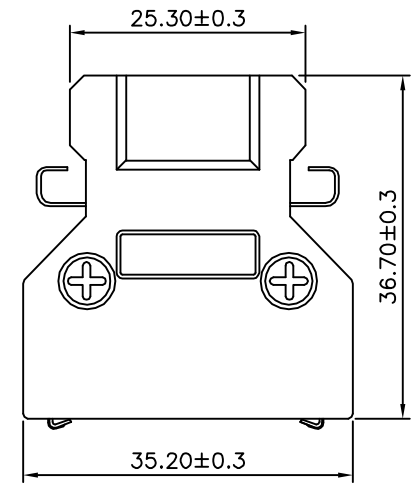
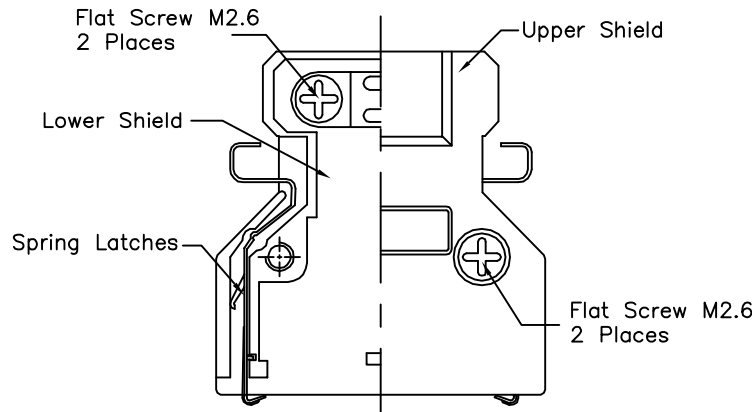
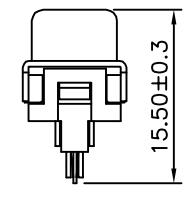
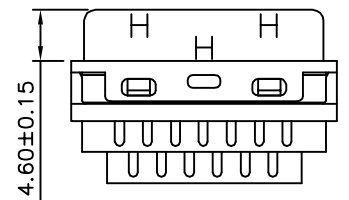
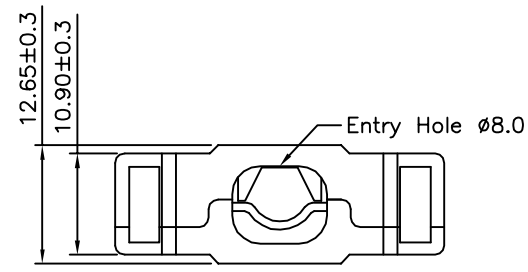
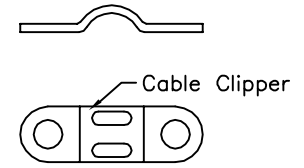
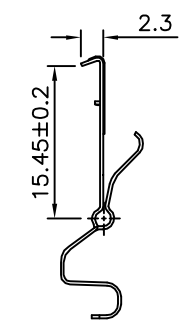


△SPECIFICATION

Contact Current Rating:0.5 Amp
 Dielectric Withstanding Voltage:500V AC
 Contact Resistance:35 Milliohms Max.
 Insulation Resistance:>500 Megaohms Min.
 Operation Temperature:-55°C~+85°C
 Insulator:PBT(UL94V-0),Black
 Contact:Phosphor Bronze,
 Selective Gold Plated 5u" Over Nickel
 Front Shell:Steel,Nickel Plated Over Copper
 Back Shell:Zinc Alloy,Nickel Plated Over Copper
 Flat Screws:Steel,Nickel Plated Over Copper
 Cable Clipper:Steel,Nickel Plated Over Copper
 △Spring Latches:Stainless Steel
 RoHS Compliant



△Spring Latches



4UCON 元化興業股份有限公司
 4UCON TECHNOLOGY INC.

DRAWING No.		APPROVED BY		UNLESS OTHERWISE SPECIFIED TOLERANCES ARE .X ±0.38 .XX ±0.25 ANG.
10126		EMILY		
		HZF		
		DRAWING BY		UNIT mm
		GAO		
SCALE	NONE	REV.	A2	NO. REV.

△A2	Modify Data	HZF	05/07/2013
△A1	Modify Spring	HZF	08/06/2008
△A0	NEW RELEASE		
NO. REV.	REVISIONS	CHK	DATE