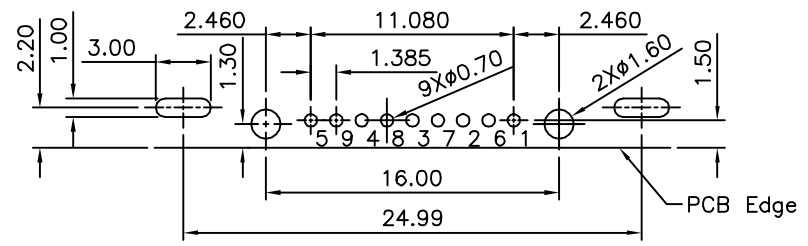
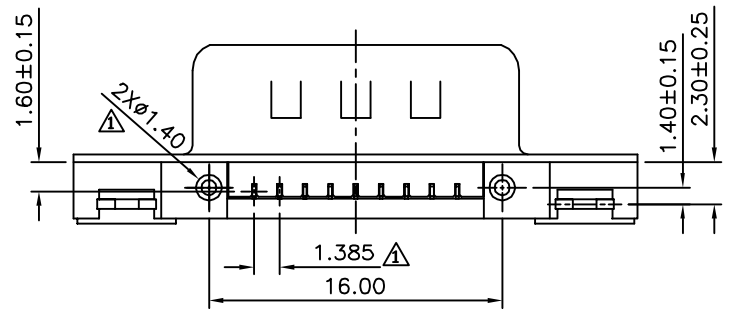
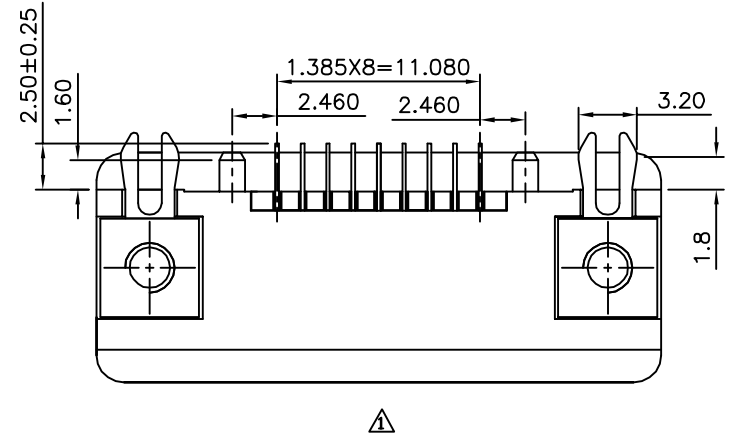


△ SPECIFICATION
 Current Rating:3 Ampere Per Contact
 Voltage:250V AC RMS Max.
 Dielectric Withstand Voltage:500V AC RMS
 Contact Resistance:25 Milliohms Max.
 Insulation Resistance:1000 Megaohms Min.
 Operation Temperature Range:-55°C~+85°C
 Total Mating Force:4.0 Kgf Max.
 Total Unmating Force:1.0 Kgf Min.
 Housing:PBT(UL94V-0),Black
 Contact:Brass,Gold Plated On Contact Area,
 Tin Plated On Solder Tails,Over Nickel
 Shell:SPCC,Nickel Plated
 Boardlock:Copper Alloy,Tin Plated
 Rivet:Copper Alloy,Nickel Plated
 RoHS Compliant



△ Recommended P.C.B. Layout



4UCON 元化興業股份有限公司
 4UCON TECHNOLOGY INC.

DRAWING No.		APPROVED BY		UNLESS OTHERWISE SPECIFIED TOLERANCES ARE △ .XX ±0.25 .XXX ±0.13 ANG. ±2°
09780		EMILY		
		CHECKED BY		
		HZF		
		DRAWING BY		
		SONG		
SCALE	NONE	REV.	A1	UNIT
				mm

NO.	REV.	REVISIONS	CHK	DATE
△ A1		Modify Data	HZF	07/06/2013
△ A0		NEW RELEASE		