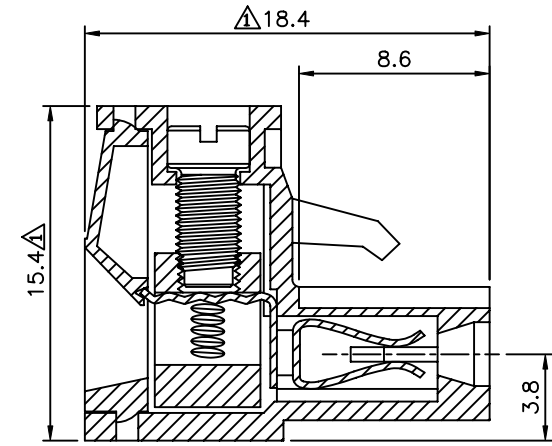
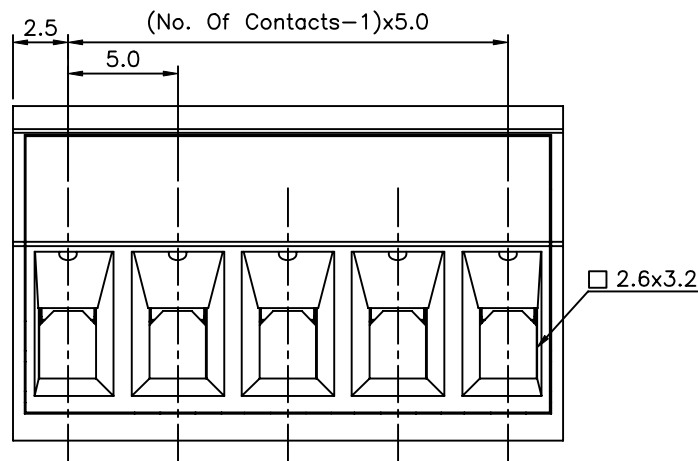
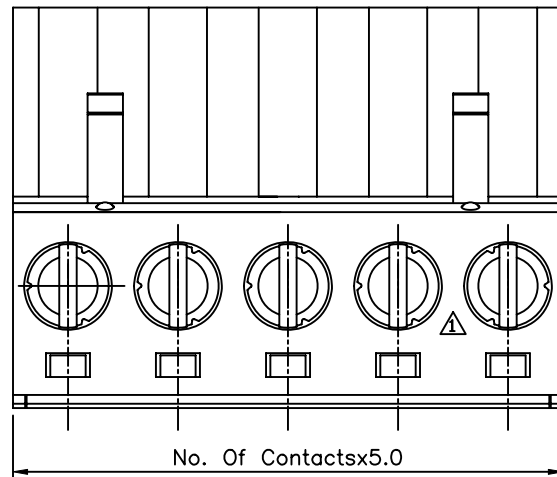


△ SPECIFICATION

Voltage Rating:250V AC
 Current Rating:10 Amp/Way Max.
 Contact Resistance:20 Milliohms Max.
 Insulation Resistance:5000 Megohms/1000V
 Withstanding Voltage:1500V AC(1 Minute) Test Time=60Sec./1PCS
 Wire Range:12~26AWG
 Torque:4.3 kgf.cm/M3
 Operation Temperature:-40°C~+120°C
 Contact(Metal Housing):Copper Alloy
 Terminal Screw:Steel,Galvanized With Cr3+ Plated
 Wire Guard:Copper Alloy,Tin Plated
 Insulator Body(Housing):Polyamide(Glass Filled)(UL94V-0),Green
 RoHS Compliant



4UCON 元化興業股份有限公司
 4UCON TECHNOLOGY INC.

| | | | | | | | | | |
|-------------|------|-------------|----|--|----|----------|-------------|-----|------------|
| DRAWING No. | | APPROVED BY | | UNLESS OTHERWISE SPECIFIED TOLERANCES ARE X. ±0.50 .X ±0.30 .XX ±0.20 ANG. ±1° | | | | | |
| 05310 | | MEI | | | | | | | |
| | | CHECKED BY | | | | | | | |
| | | HZF | | | | | | | |
| | | DRAWING BY | | | | | | | |
| | | WZL | | | | | | | |
| SCALE | NONE | REV. | A1 | UNIT | mm | | | | |
| | | | | | | | | | |
| | | | | | | NO. REV. | REVISIONS | CHK | DATE |
| | | | | | | △ A1 | Modify Data | HZF | 07/13/2010 |
| | | | | | | △ A0 | NEW RELEASE | HZF | 05/13/2009 |