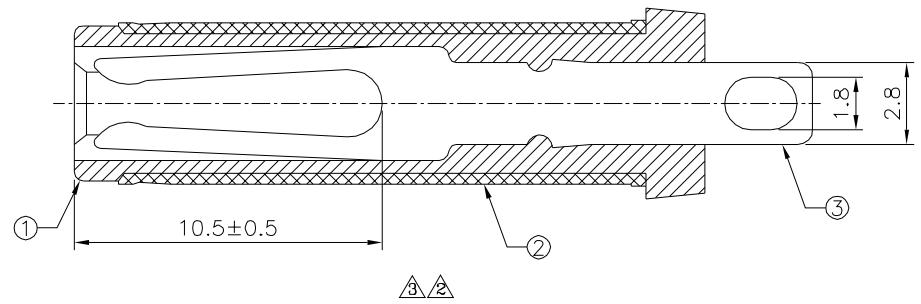
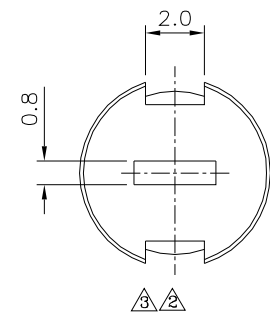
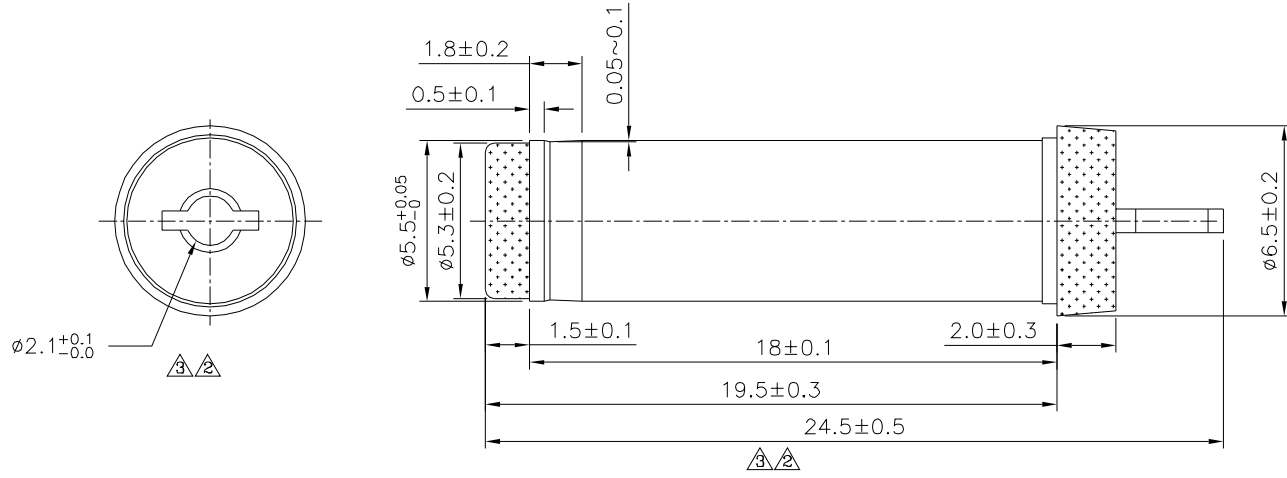


△ SPECIFICATION

Current Rating:5.0 Amp
 Voltage Rating:24V DC
 Withstand Voltage:500V AC/Minute
 Contact Resistance:30 Milliohms Max.
 Or Less Between Plug And Jack
 Insulation Resistance:100 Megaohms Min. At 500V DC
 Operation Temperature:-25°C~+70°C
 RoHS Compliant



△ ③	Phosphor Bronze	Nickel Plated
②	Brass	Nickel Plated
①	PBT+15%G.F.	Black
No.	Material	Remark

4UCON 元化興業股份有限公司
 4UCON TECHNOLOGY INC.

DRAWING No. 19191		APPROVED BY EMILY		UNLESS OTHERWISE SPECIFIED TOLERANCES ARE 0~1 ±0.1 1~6 ±0.2 6~18 ±0.3 18~40 ±0.4 40~ ±0.5
		CHECKED BY HZF		
		DRAWING BY HAO		
SCALE	NONE	REV.	A3	UNIT mm

△ A3	Modify Data	HZF	11/17/2020
△ A2	Modify Data	HZF	03/19/2015
△ A1	Modify Data	HZF	02/27/2012
△ A0	NEW RELEASE	HZF	04/28/2008
NO. REV.	REVISIONS	CHK	DATE