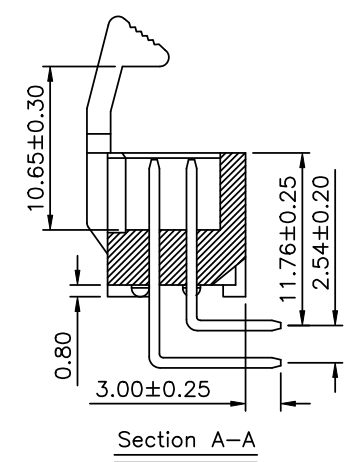
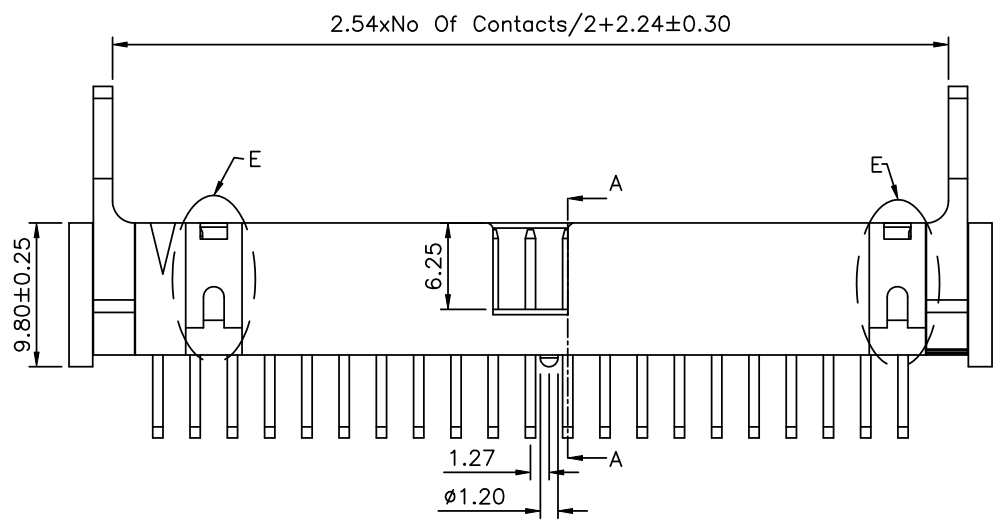
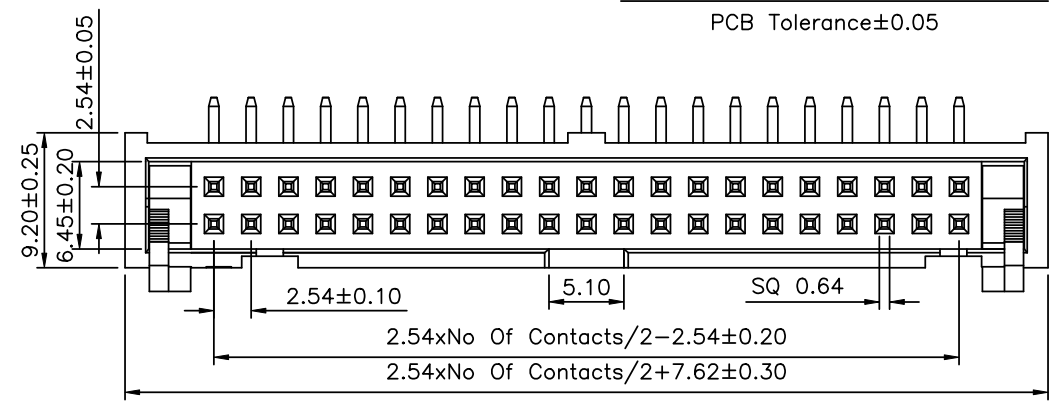


Recommended PCB Layout (Top Side)  
PCB Tolerance ±0.05

**SPECIFICATION**  
 Current Rating: 3.0Amp  
 Voltage Rating: 350V  
 Contact Resistance: 20 Milliohms Max  
 Insulation Resistance: 1000 Megohm Min  
 Withstand Voltage: 1000V AC/Minute  
 Operation Temperature: -40°C ~ +105°C  
 Contact Material: Brass  
 Contact Plating: Au Over Ni  
 Latch Material: Zinc Alloy  
 Latch Plating: Ni  
 Insulator Material: Polyester (UL94V-0)  
 Standard: PBT+30%GF  
 Above 26 Poles With "E" Profile



**4UCON** 元化興業股份有限公司  
4UCON TECHNOLOGY INC.

DRAWING No.		APPROVED BY		UNLESS OTHERWISE SPECIFIED TOLERANCES ARE .X ±0.40 .XX ±0.25 .XXX ±0.15 ANG: ±3°
19074		MEI		
		CHECKED BY	HZF	
		DRAWING BY	JLT	
SCALE	NONE	REV.	A0	UNIT
				mm

NO.	REV.	REVISIONS	CHK	DATE
△ A0		NEW RELEASE	HZF	11/06/2007