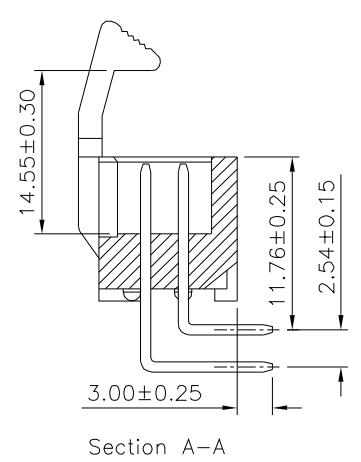
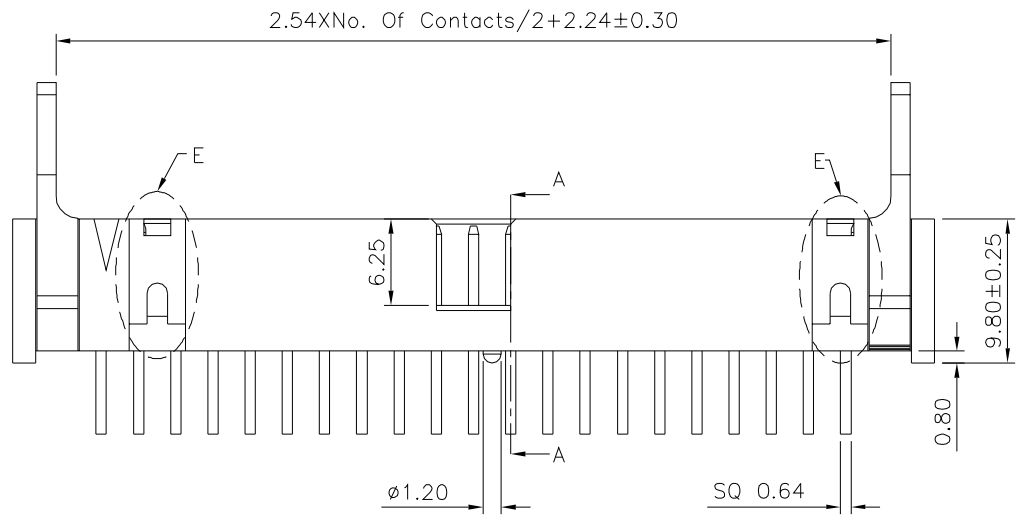
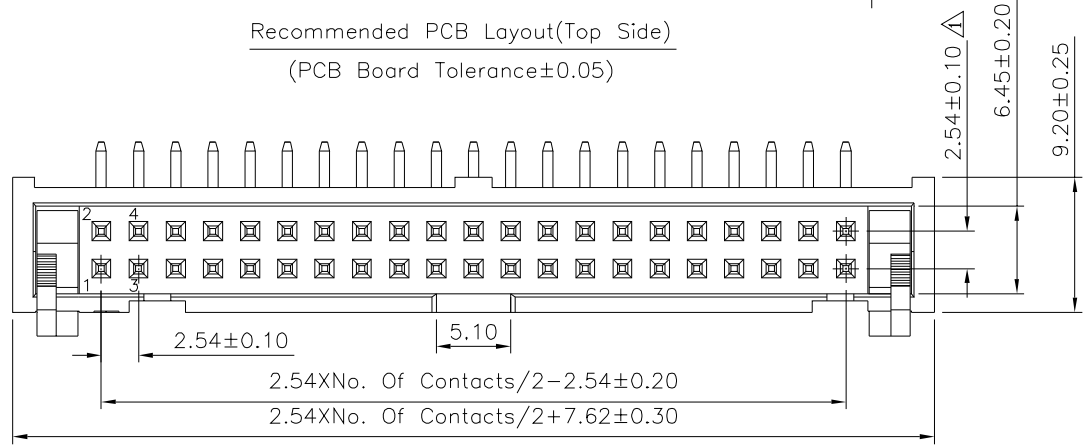


Recommended PCB Layout(Top Side)  
(PCB Board Tolerance±0.05)



**△ SPECIFICATION**  
 Current Rating:3.0 Amp  
 Contact Resistance:20 Milliohms Max.  
 Insulation Resistance:1000 Megaohms Min.  
 Withstand Voltage:1000V AC/DC  
 Operation Temperature:-40°C~+105°C  
 Contact:Brass  
 Gold Flash Over All,Over Nickel  
 Latch:Zinc Alloy,Nickel Plated  
 Insulator:PBT+30%G.F.(UL94V-0),Black  
 △ Above 20 Poles With "E" Profile  
 RoHS Compliant

**4UCON** 元化興業股份有限公司  
 4UCON TECHNOLOGY INC.

DRAWING No. **19058**

APPROVED BY EMILY  
 CHECKED BY HZF  
 DRAWING BY YBL

UNLESS OTHERWISE SPECIFIED TOLERANCES ARE  
 .X ±0.40  
 .XX ±0.25  
 .XXX ±0.15  
 ANG. ±3°  
 UNIT mm

△ A4	Modify Data	HZF	01/06/2014
△ A3	Modify Data	HZF	05/14/2012
△ A2	Modify Data	HZF	07/28/2009
△ A1	Modify Data	HZF	07/03/2009
△ A0	NEW RELEASE	HZF	11/06/2007
NO. REV.	REVISIONS	CHK	DATE

SCALE NONE

REV. A4

