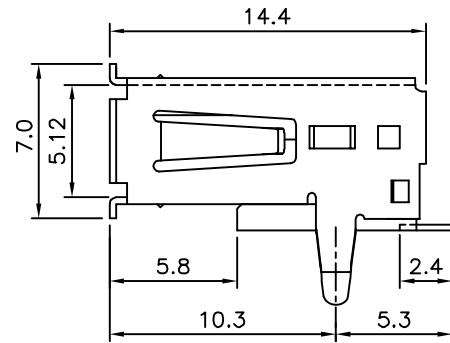
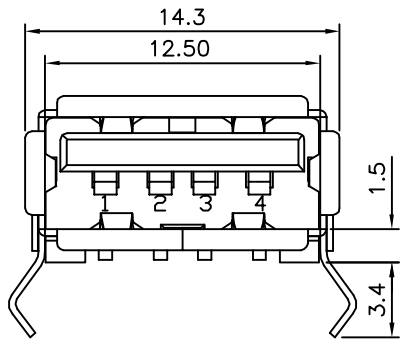
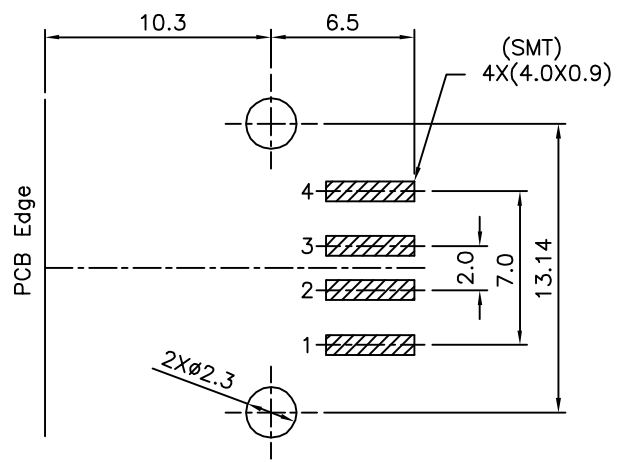


△ SPECIFICATION

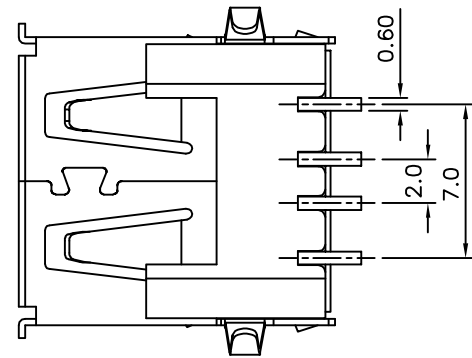
Rated Voltage And Current:1.5A At 250V AC Min.
 Dielectric Withstanding Voltage:
 750V AC RMS For 1 Minute(Rev. 1.1)
 Contact Resistance:30 Milliohms Max.
 Insulation Resistance:
 1000 Megaohms Min. At 500V DC
 Insertion Force:35N Max.
 Extraction Force:10N Min.
 Durability(Life Test):1500 Cycles
 Housing:PA9T+G.F.,White
 Terminal:Phosphor Bronze
 Gold Plated On Contact Area,
 Tin Plated On Solder Tails,Over Nickel
 Shell:Brass,Nickel Plated
 RoHS Compliant



△



Recommended P.C.B. Layout(Bottom View)



4UCON 元化興業股份有限公司
 4UCON TECHNOLOGY INC.

DRAWING No.		APPROVED BY		UNLESS OTHERWISE SPECIFIED TOLERANCES ARE X. ±0.38 .X ±0.25 .XX ±0.13 .XXX ±0.05
18666		EMILY		
		CHECKED BY		
		HZF		
		DRAWING BY		
		QQJ		
SCALE	NONE	REV.	A1	UNIT
				mm

NO.	REV.	REVISIONS	CHK	DATE
△ A1		Modify Data	HZF	10/05/2010
△ A0		NEW RELEASE	HZF	09/15/2009