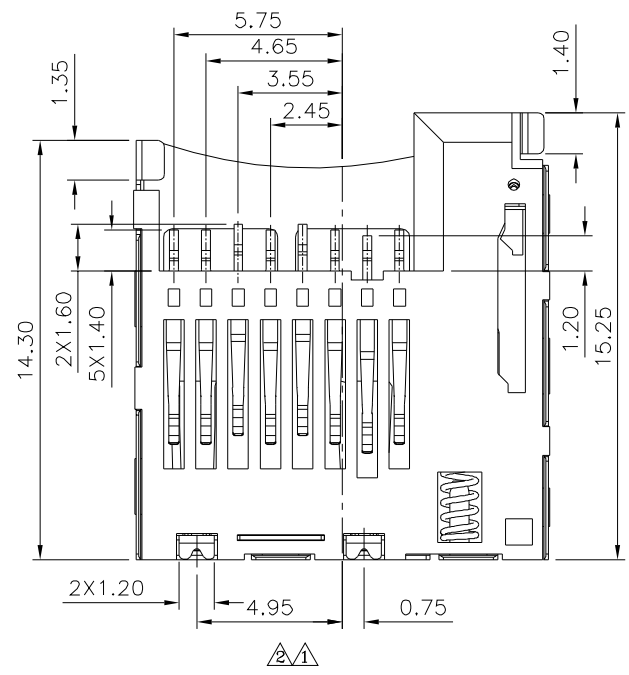
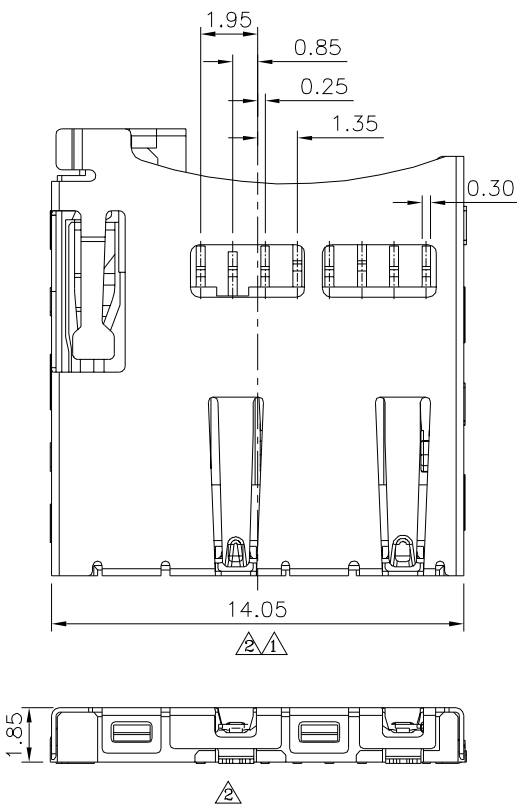
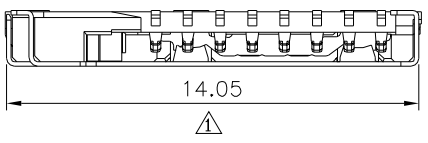
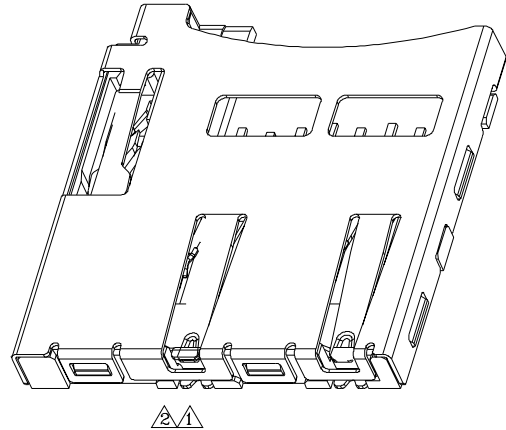


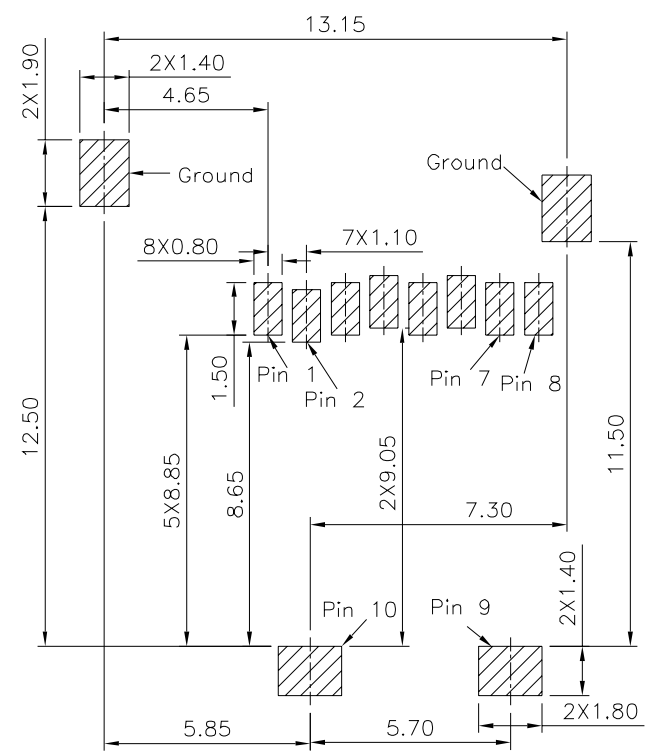
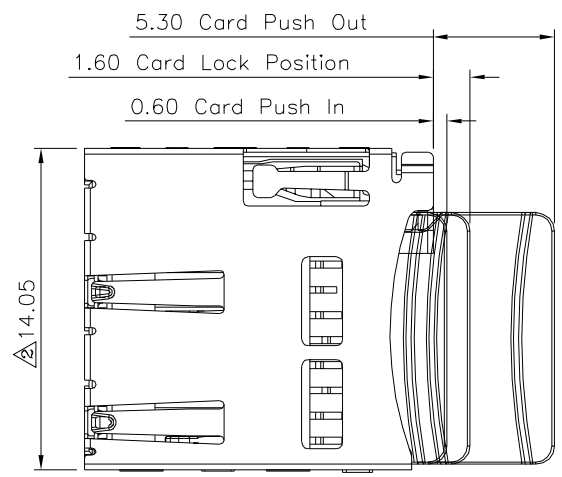
- △ SPECIFICATION**
- General Characteristics**  
 T-Flash Connector 08 Pin SMT 90°  
 Standoff=0 Normal Push Push Type  
 Selective Gold Flash Tape & Reel 1K/Reel
  - Material&Finish**  
 Insulator:LCP(UL94V-0),Black  
 Contact:Phosphor Bronze,  
 Gold Flash On Contact Area,Tin  
 Plated On Solder Tails,Over Nickel  
 Shell:Stainless,Gold Flash On Solder Area,  
 Over Nickel
  - Electrical Characteristics**  
 Current Rating:0.5A Max.  
 Contact Resistance:100 Milliohms Max.  
 Insulation Resistance:250V DC Or 300V AC  
 For No Less Than 1 Minute,  
 1000 Megohms Min.  
 Withstanding Voltage:500V AC For 1 Minute
  - Mechanical Characteristics**  
 Mating Cycles:10000 Cycles  
 Insertion Force:2.0 Kgf Max.  
 Extraction Force:0.5 Kgf Min.
  - Environmental Characteristics**  
 Operating Temperature:-25°C~+85°C
  - RoHS Compliant**



**4UCON** 元化興業股份有限公司  
 4UCON TECHNOLOGY INC.

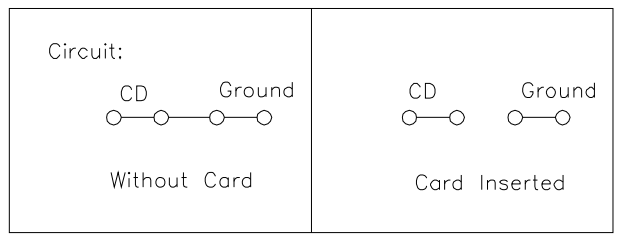
DRAWING No.		APPROVED BY		UNLESS OTHERWISE SPECIFIED TOLERANCES ARE
15882		MEI		
		CHECKED BY	HZF	
		DRAWING BY	CYP	X. ±0.50 X.* ±5* .X ±0.25 .X* ±2* .XX ±0.15 .XX* ±1*
SCALE	NONE	REV.	A3	UNIT mm

NO.	REV.	REVISIONS	CHK	DATE
△	A3	Modify Data	HZF	03/14/2016
△	A2	Modify Data	HZF	12/25/2014
△	A1	Modify Data	HZF	08/22/2012
△	A0	NEW RELEASE	HZF	01/19/2012



Pin No.	Micro SD
Pin 1	DAT2 1P
Pin 2	DAT3 2P
Pin 3	CMD 3P
Pin 4	VDD 4P
Pin 5	CLK 5P
Pin 6	VSS 6P
Pin 7	DAT0 7P
Pin 8	DAT1 8P
Pin 9	Card Detect
Pin 10	

Recommended P.C.B. Layout (PCB Board Tolerance±0.05)



**4UCON** 元化興業股份有限公司  
4UCON TECHNOLOGY INC.

DRAWING No.		APPROVED BY		UNLESS OTHERWISE SPECIFIED TOLERANCES ARE					
15882		MEI		X. ±0.50 X.* ±5°		A3		Modify Data	
		HZF		.X ±0.25 .X.* ±2°		A2		Modify Data	
		CYP		.XX ±0.15 .XX.* ±1°		A1		Modify Data	
SCALE		NONE		REV.		A0		NEW RELEASE	
				A3		NO. REV.		REVISIONS	
				UNIT		CHK		DATE	
				mm					
				REV.					
				A3					
				UNIT					
				mm					