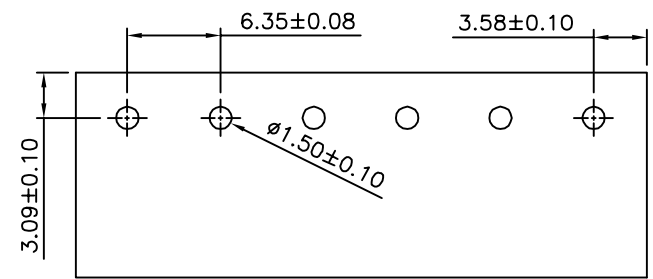
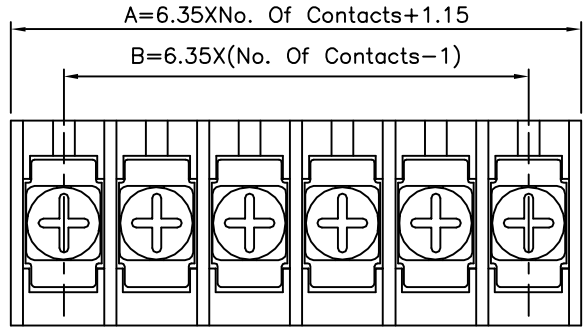
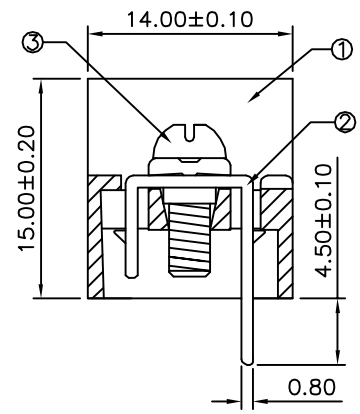
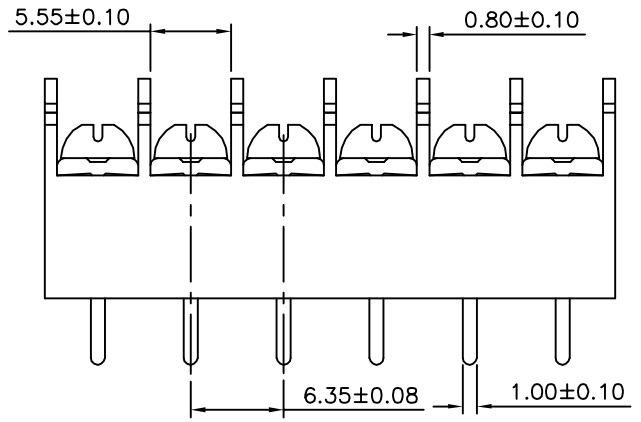


△ SPECIFICATION

Rated: 10 Amp AC 250V
 Insulation Withstand Voltage: 2000V AC/Minute
 Insulation Resistance: >1000 Megaohms
 Or More At 500V DC
 Operation Temperature: -55°C ~ +110°C
 Screws Torque: 7 In-Lb
 Wire Range: 18~22 AWG
 ① Housing: PA66(UL94V-2), Black
 ② Terminal: Brass, Tin Plated
 ③ Screw: M3.0 Steel, Nickel Plated
 RoHS Compliant



△ Recommended P.C.B. Layout



Pin	A	B	Pin	A	B
02	13.85	6.35	18	115.45	107.95
03	20.2	12.7	19	121.8	114.3
04	26.55	19.05	20	128.15	120.65
05	32.9	25.4	21	134.5	127
06	39.25	31.75	22	140.85	133.35
07	45.6	38.1	23	147.2	139.7
08	51.95	44.45	24	153.55	146.05
09	58.3	50.8	25	159.9	152.4
10	64.65	57.15	26	166.25	158.75
11	71	63.5	27	172.6	165.1
12	77.35	69.85	28	179	171.5
13	83.7	76.2	29	185.3	177.8
14	90.05	82.55	30	191.7	184.2
15	96.4	88.9	31	198	190.5
16	102.75	95.25	32	204.35	196.9
17	109.1	101.6			

4UCON 元化興業股份有限公司
 4UCON TECHNOLOGY INC.

DRAWING No.		APPROVED BY		UNLESS OTHERWISE SPECIFIED TOLERANCES ARE △ .X ±0.38 .XX ±0.25 ANG.
13553		EMILY		
		CHECKED BY		
		HZF		UNIT mm
		DRAWING BY		
		GAO		
SCALE	NONE	REV.	B1	

NO.	REV.	REVISIONS	CHK	DATE
△ B1		Modify Data	HZF	12/14/2012
△ B0		NEW RELEASE	BECKY	06/06/2006