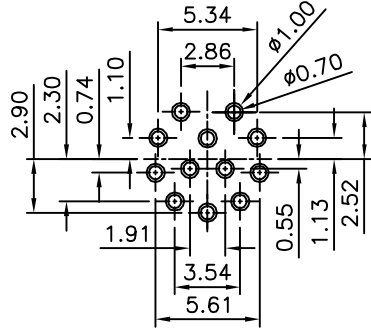
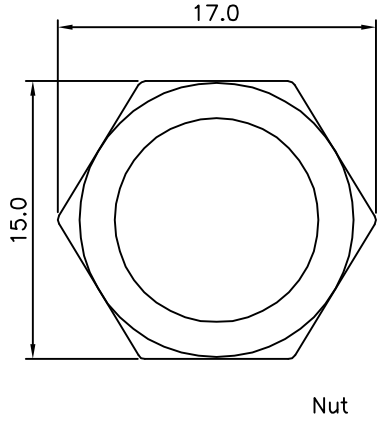
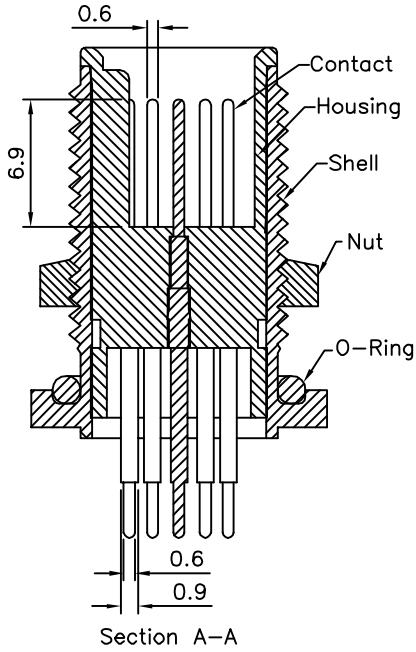
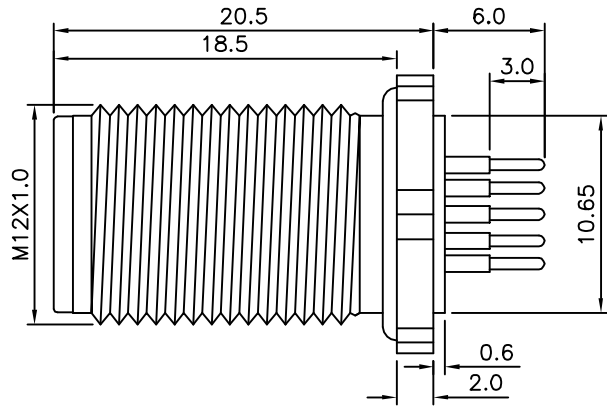
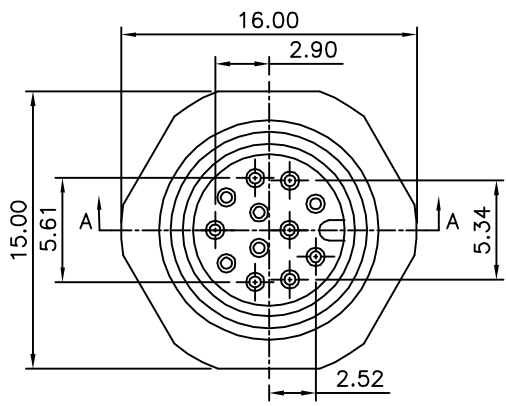


SPECIFICATION
 Current Rating:1A
 Voltage Rating:30V
 Operation Temperature:-40°C~+85°C
 Housing:PBT(UL94V-0),Black
 Contact:Brass,Gold Plated Over Nickel
 Nut:Brass,Nickel Plated
 Shell:Brass,Nickel Plated
 O-Ring:Edpm
 Water Proof:IPX7
 RoHS Compliant



Recommended P.C.B. Layout

4UCON 元化興業股份有限公司
 4UCON TECHNOLOGY INC.

DRAWING No.		APPROVED BY		UNLESS OTHERWISE SPECIFIED TOLERANCES ARE .X ±0.3 .XX ±0.20 ANG.	
11099		EMILY			
		CHECKED BY HZF			
SCALE		DRAWING BY		UNIT	
NONE		CYP		mm	
REV.		A0		NO. REV.	
				A0	

NEW RELEASE		HZF		02/21/2015	
REVISIONS		CHK		DATE	