

PCB LAYOUT

Technical Data:

Material:

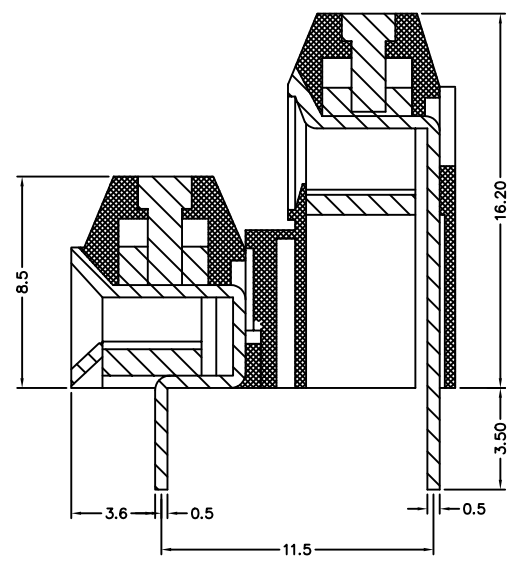
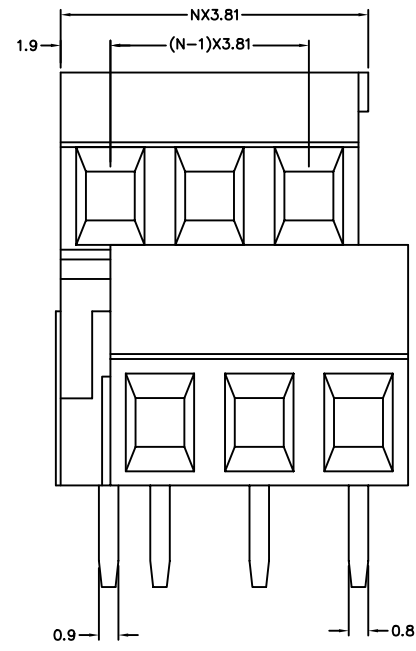
- Contact metal housing : Brass Machined(option)
- Terminal screw : Steel Galvanized And Achromatized
- Solder Pin : Brass with Tin plated
- Insulator body(housing): Polyamide(glass filled)(UL94V-0)

Electrical :

- Voltage rating : 150VAC
- Current rating : 6Amps/way max.
- Contact resistance : 20m(max.)
- Insulation resistance : 5000M/1000V
- Withstanding voltage : 1500VAC(1min.)Test time=60 sec/1pcs
- Wire range : 16-24AWG

Mechanical:

- Torque: 2kg-cm/M2
- Operating temperature : -33°C to +120°C
- Soldering reliability: Test temperature: 250°C±10°C 5 seconds max.



4UCON 元化興業股份有限公司
4UCON TECHNOLOGY INC.

DRAWING No.
10652

APPROVED BY MEI
CHECKED BY BECKY
DRAWING BY HZF

UNLESS OTHERWISE SPECIFIED TOLERANCES ARE
.X ±0.3
.XX ±0.10
.XXX

SCALE NONE

REV. A0

UNIT mm

NO. REV.

REVISIONS

CHK MEI

DATE