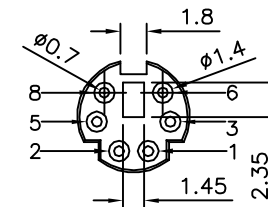


Recommended P.C.B. Layout(Bottom View)

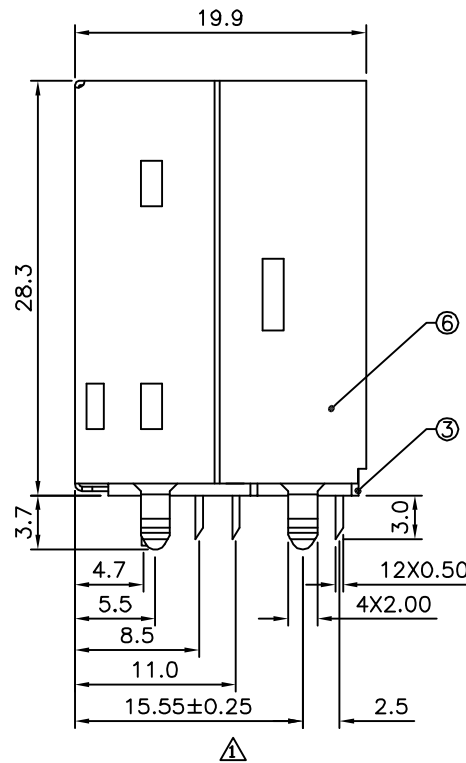
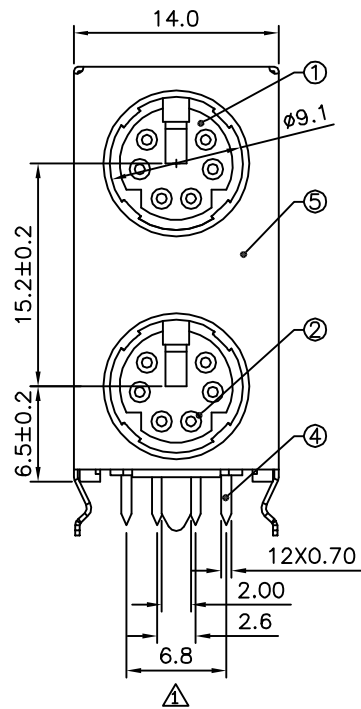
**△ SPECIFICATION**

Rating Current And Voltage:DC 12V 2A Max.  
AC 100V 1A Max.

Dielectric Withstanding Voltage:250V AC For 1 Minute  
Contact Resistance:30 Milliohms Max.  
Insulation Resistance:100 Megaohms Min. At 500V DC  
Insertion Force:4.0 kg Max.  
Extraction Force:0.9 kg Min.  
Durability(Life Test):100 Cycles  
RoHS Compliant



△ Arrangement Of Contacts



No.	Description	Q'ty	Material	Remark
①	Top Housing	1	PBT+G.F.	Green
②	Bottom Housing	1	PBT+G.F.	Purple
③	Back Cover	1	PBT+G.F.	Purple
④	Contact Terminal	12	Phosphor Bronze	Gold Plated On Contacts Area,Tin Plated On Solder Tail,Under Nickel
⑤	Front Shield	1	Brass	Tin Plated
⑥	Back Shield	1	Brass	Tin Plated

**4UCON** 元化興業股份有限公司  
4UCON TECHNOLOGY INC.

DRAWING No.

09814

APPROVED BY

MEI

CHECKED BY

HZF

DRAWING BY

WZL

REV.

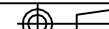
A1

UNLESS OTHERWISE SPECIFIED TOLERANCES ARE

△ X. ±0.38  
.X ±0.25  
.XX ±0.13  
.XXX ±0.05

UNIT

mm



NO. REV.

A1

Modify Data

A0

NEW RELEASE

REVISIONS

CHK

DATE

HZF 08/05/2010

NO. REV. REVISIONS CHK DATE