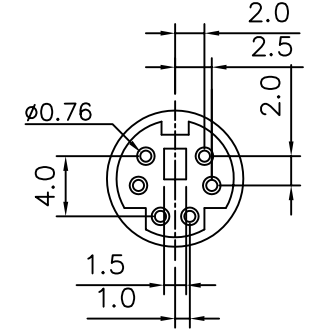
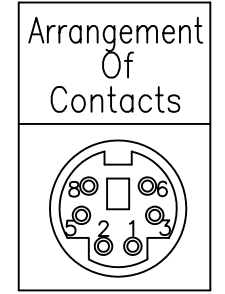


PCB Layout (Bottom View)



NO.	NAME	MATERIAL	FINISH	REMARK	Q'TY
1	TOP HOUSING	P.B.T.	BLACK		1
2	BOTTOM HOUSING	P.B.T.	BLACK		1
3	BACK COVER	P.B.T.	BLACK		1
4	CONTACT TERM.	PHOS. BRONZE	GOLD/TIN PLATED	Ni: 1~1.5u; TIN: 3u GOLD: 1~3u	12
5	FRONT SHIELD	BRASS	TIN PLATED	TIN: 3~5u	1
6	BACK SHIELD	BRASS	TIN PLATED	TIN: 3~5u	1

4UCON 元化興業股份有限公司
4UCON TECHNOLOGY INC.

DRAWING No.
09813

APPROVED BY MEI
CHECKED BY LHC
DRAWING BY HZF

UNLESS OTHERWISE SPECIFIED
TOLERANCES ARE
.X ±0.30
.XX ±0.25
ANG.

SCALE NONE REV. A

UNIT mm



AREA REVISIONS CHK DATE