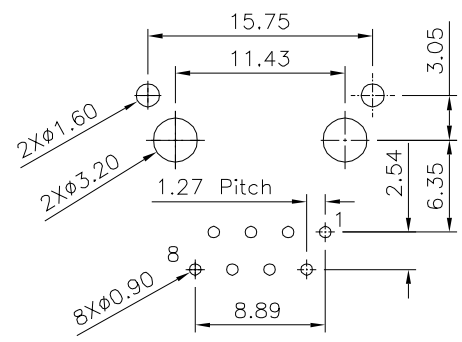
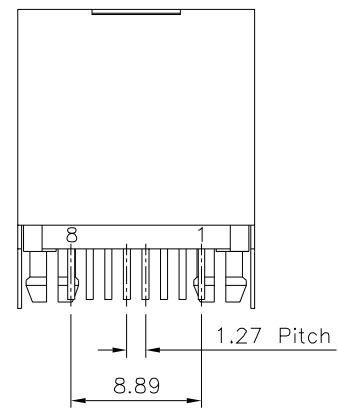
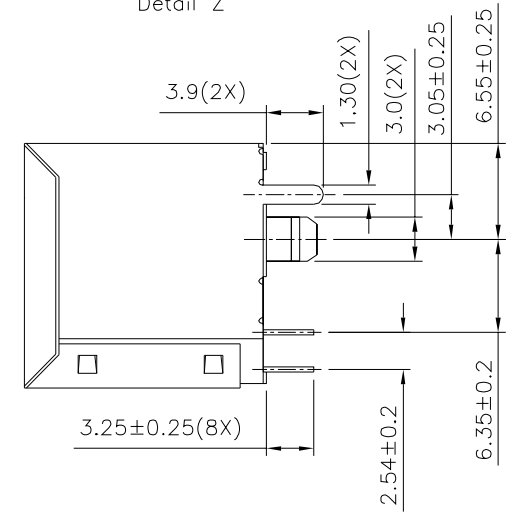
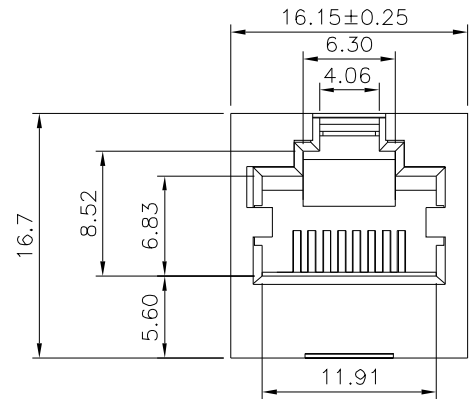
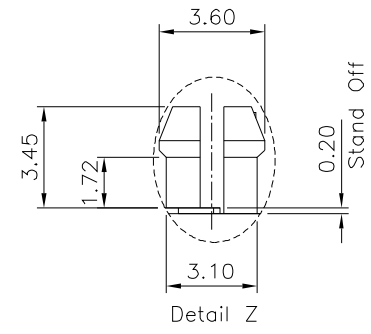
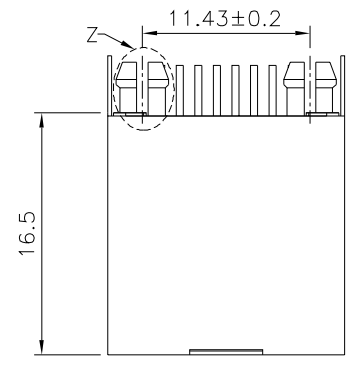


SPECIFICATION
 Current Rating:1.5A Max.
 Voltage Rating:150V AC Max.
 Operating Temperature:-40°C~+85°C
 Insulation Resistance:500 Megaohms Min. Initial
 At 500V DC
 Contact Resistance:20 Milliohms Max. Initial
 Dielectric Withstanding Voltage:
 1000V RMS. At 60Hz,1 Minute Between
 Adjacent Contacts
 1500V RMS. At 60Hz,1 Minute Between
 Shield And Contacts
 Housing:PBT+G.F.(UL94V-0),Black
 Insert Housing:PBT+G.F.(UL94V-0),Black
 Contacts:Phosphor Bronze
 Gold Plated 06u" On Contact Area,
 Gold Flash On Other Area,Over Nickel
 Shield:Brass,Nickel Plated
 Cavity Conforms To FCC Rules And
 Regulations Part 68,Subpart F.
 RoHS Compliant



Recommended P.C.B. Layout(Top View)
 P.C.B Thickness:1.6mm (Tolerance±0.05)

4UCON 元化興業股份有限公司
 4UCON TECHNOLOGY INC.

DRAWING No.		APPROVED BY		UNLESS OTHERWISE SPECIFIED TOLERANCES ARE .X ±0.25 .XX ±0.13 .XXX ±0.05
08010		MEI		
		CHECKED BY	HZF	
		DRAWING BY	CYP	
SCALE	NONE	REV.	CO	UNIT mm

NO.	REV.	CO	NEW RELEASE	HZF	10/28/2023
			REVISIONS	CHK	DATE