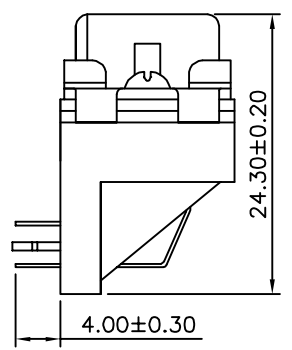
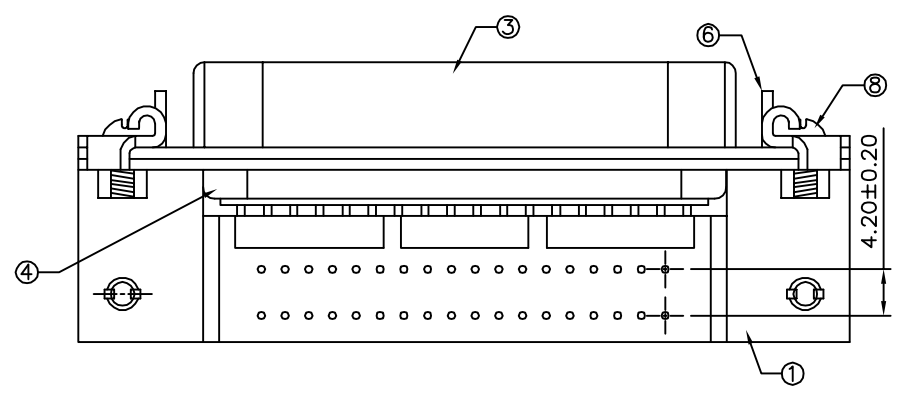
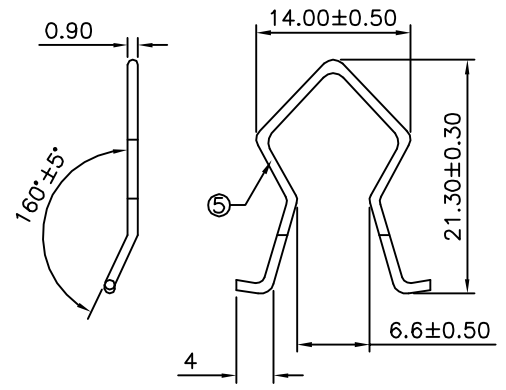
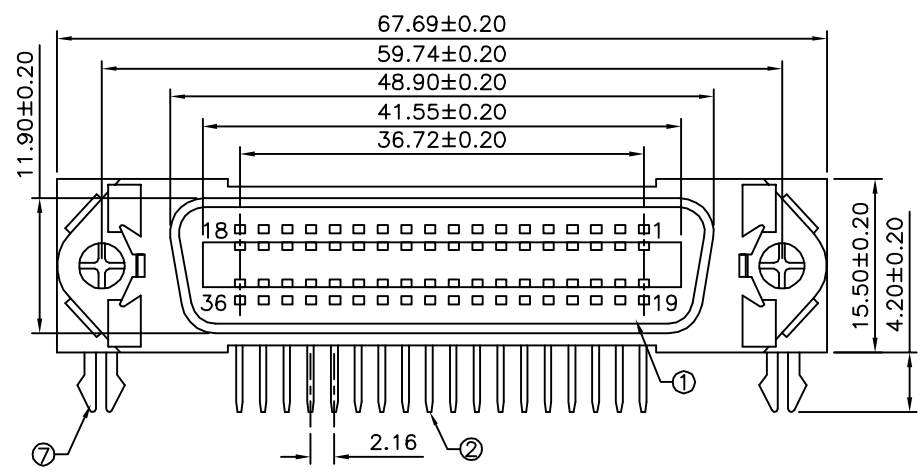
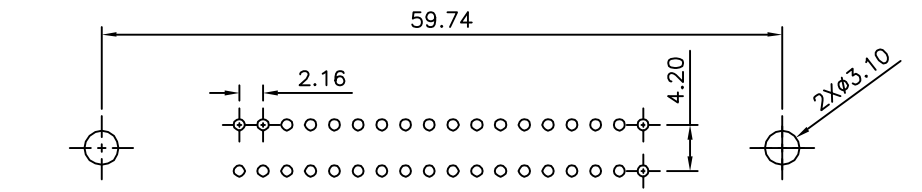


SPECIFICATION

Current Rating:1A Max.
 Dielectric Wthstanding Voltage:500V AC For 1 Minute
 Contact Resistance:30 Milliohms Max.
 Insulation Resistance:1000 Megaohms Min. At DC 500V
 Temperature Range:-55°C~+105°C
 Total Mating Force:6.5 Kgf Max.
 Total Unmating Force:2.5 Kgf Min.
 RoHS Compliant



No.	Name	Material	Q'ty	Remark
①	Housing	PBT,UL94V-0	2	Blue
②	Contact	Brass	36	Gold Plated On Contact Area,Tin Plated On Solder Tails,Over Nickel
③	Front-Shell	Cold Rolled Steel	1	Nickel Plated Over Copper
④	Back-Shell	Cold Rolled Steel	1	Nickel Plated Over Copper
⑤	Spring (ø0.90)	Stainless	2	No Plated
⑥	Trangle	Cold Rolled Steel	2	Nickel Plated Over Copper
⑦	"Z" Type Boardlock	Brass	2	Tin Plated
⑧	Screw	Brass	2	Nickel Plated

4UCON 元化興業股份有限公司
 4UCON TECHNOLOGY INC.

DRAWING No.		APPROVED BY		UNLESS OTHERWISE SPECIFIED TOLERANCES ARE .X ±0.30 .XX ±0.20 .XXX ±0.10 ANG. ±1°
07771		EMILY		
		CHECKED BY		
		HZF		
		DRAWING BY		
		HAO		
SCALE	NONE	REV.	A0	UNIT
				mm

△	AO	NEW RELEASE	HZF	03/03/2014
NO.	REV.	REVISIONS	CHK	DATE