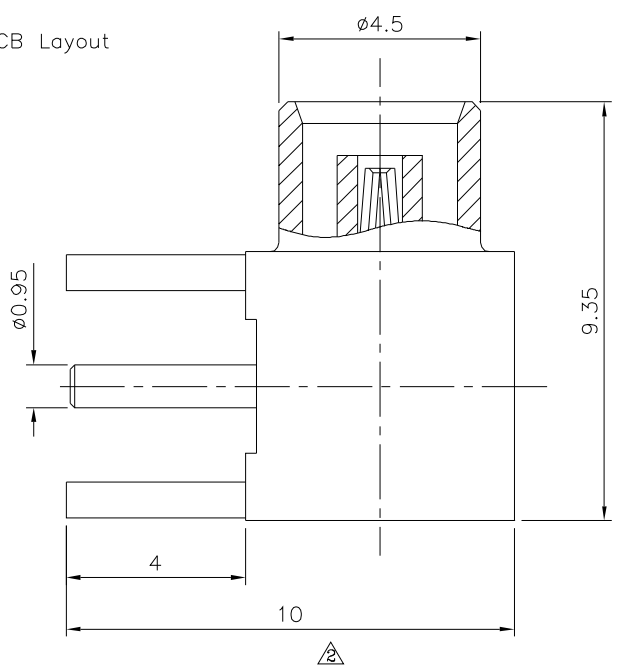
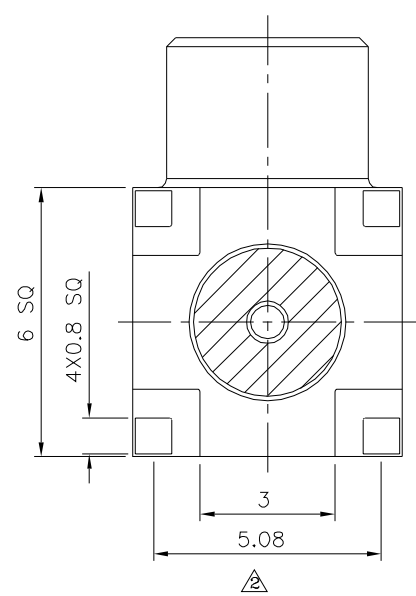


Recommended PCB Layout



**SPECIFICATION**

Impedance: 50 Ohms  
 Frequency Range: 0-6 GHz DC  
 Working Voltage: 335V AC  
 Withstanding Voltage: 500V AC/Minute  
 Insulation Resistance: 1000 Megaohms Min.  
 Contact Resistance: Center Contact: 5.0 Milliohms Max.  
 Outer Contact: 2.5 Milliohms Max.  
 V.S.W.R.: 1.3 Max.  
 Temperature Range: -65°C To +165°C  
 RoHS Compliant

No.	Description	Material	Q'ty	Finish
06	Press Washer	Brass	1	Gold Flash Over Nickel
05	Insulator	Teflon	1	
04	Body	Brass	1	Gold Flash Over Nickel
03	Insulator	Teflon	1	
02	Press Washer	Brass	1	Gold Flash Over Nickel
01	Center Pin	Beryllium Copper	1	Gold Flash Over Nickel

**4UCON** 元化興業股份有限公司  
 4UCON TECHNOLOGY INC.

DRAWING No.		APPROVED BY		UNLESS OTHERWISE SPECIFIED TOLERANCES ARE X. ±0.4 .X ±0.4 .XX ±0.4
07252		MEI		
		CHECKED BY	HZF	
		DRAWING BY	CYP	
SCALE	NONE	REV.	A2	UNIT mm

NO.	REV.	REVISIONS	CHK	DATE
△A2		Modify Data	HZF	03/19/2024
△A1		Modify Data	HZF	12/12/2017
△A0		NEW RELEASE	HZF	04/21/2009