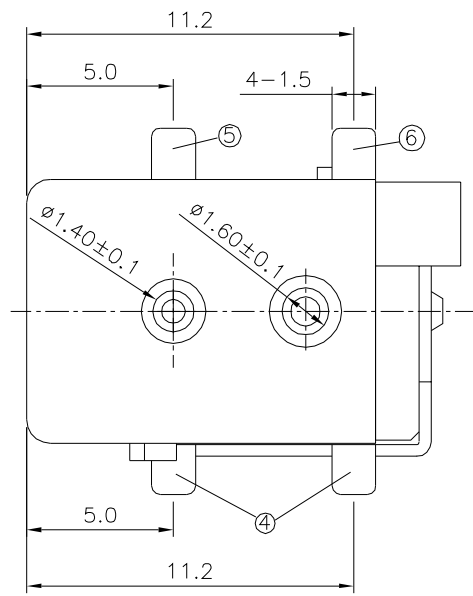


Recommended P.C.B. Layout(Top View)
Unspecified Tolerance±0.05



Pin	$\phi 2.0$	$\phi 2.35$	$\phi 2.5$
Pulg O.D.	$2.05_{-0.00}^{+0.10}$	$2.40_{-0.00}^{+0.10}$	$2.55_{-0.00}^{+0.10}$

○:Item No.		□:Terminal No.			
①	Housing	PA10T	Black	1	
②	Cover	PA10T	Black	1	
③	Center Pin	Brass	CuSn Plated	1	
④	Center Pin Terminal	①	Brass	Silver Plated	1
⑤	Tip Spring	①	Phosphor Bronze	Silver Plated	1
⑥	Shunt Terminal	②	Brass	Silver Plated	1
No.	Description	③	Material	Remark	Q'ty

4UCON 元化興業股份有限公司
4UCON TECHNOLOGY INC.

DRAWING No.		APPROVED BY	
03267		MEI	
		CHECKED BY	
		HZF	
DRAWING BY		CYP	
SCALE	NONE	REV.	B2A

UNLESS OTHERWISE SPECIFIED TOLERANCES ARE							
.X	±0.50	X.*	±5*				
.XX	±0.30	.X*	±3*				
.XXX	±0.15	.XX*	±2*				
UNIT	mm	△	B2A	NEW RELEASE	HZF	02/11/2022	
NO.	REV.	REVISIONS		CHK	DATE		