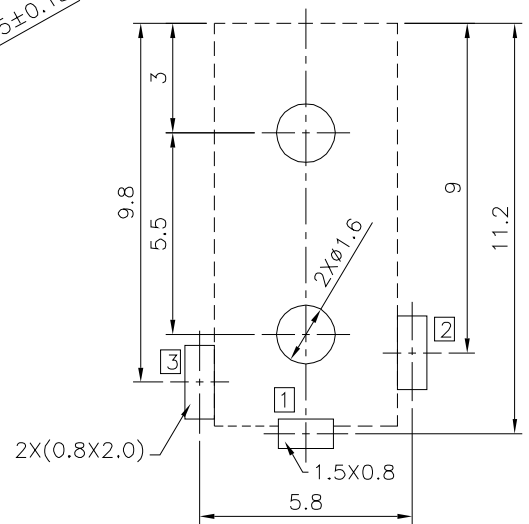
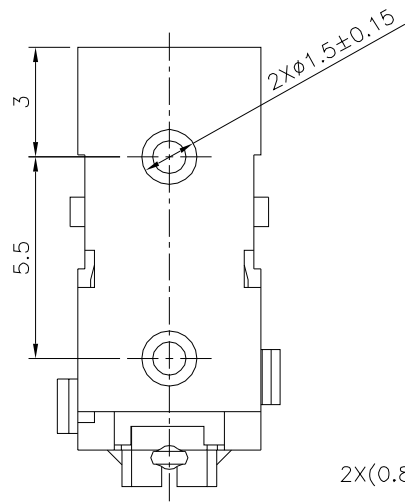
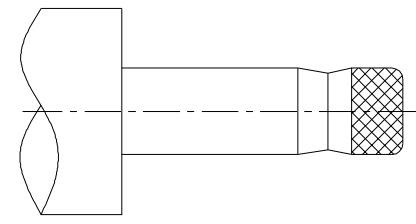


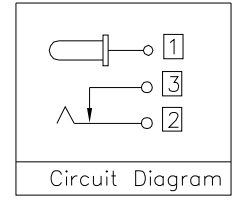
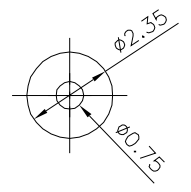
SPECIFICATION
 Rating: DC 12V, 2A
 Contact Resistance: 30 Milliohms Max.
 After Test: 50 Milliohms Max.
 Insulation Resistance: 100 Megaohms Min. (500V DC)
 After Test: 50 Megaohms Min.
 Withstand Voltage: 500V AC
 Insertion And Extraction Force: 3~30N
 Life Test: 5000 Cycles Min.
 Operation Temperature Range: -20°C~+70°C
 Preservative Temperature Range: -40°C~+85°C
 RoHS Compliant



Recommended P.C.B. Layout (Bottom View)
 Unspecified Tolerance: ±0.05



DC Mate Plug



No.	Description	Q'ty	Material	Remark
①	Housing	1	PBT	Black
②	Center Pin	1	Bronze	Silver Plated
③	Tip Spring	1	Beryllium Bronze	Silver Plated
④	Shunt Terminal	1	Brass	Silver Plated

4UCON 元化興業股份有限公司
 4UCON TECHNOLOGY INC.

DRAWING No.		APPROVED BY		UNLESS OTHERWISE SPECIFIED TOLERANCES ARE X. ±0.3 .X ±0.3 .XX ±0.3 ANG. ±2°
01808		MEI		
		CHECKED BY		
		HZF		
		DRAWING BY		UNIT mm
		SONG		
SCALE	NONE	REV.	A0	△ A0 NEW RELEASE
				HZF 04/18/2011
				NO. REV. REVISIONS
				CHK DATE
