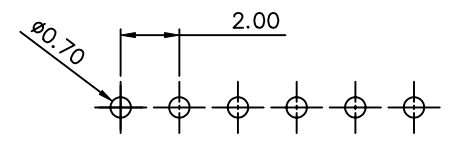
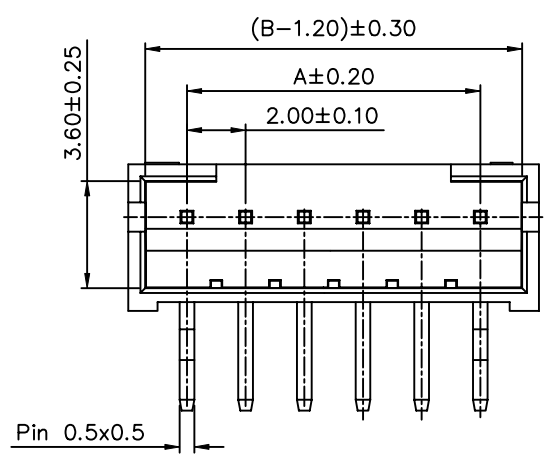
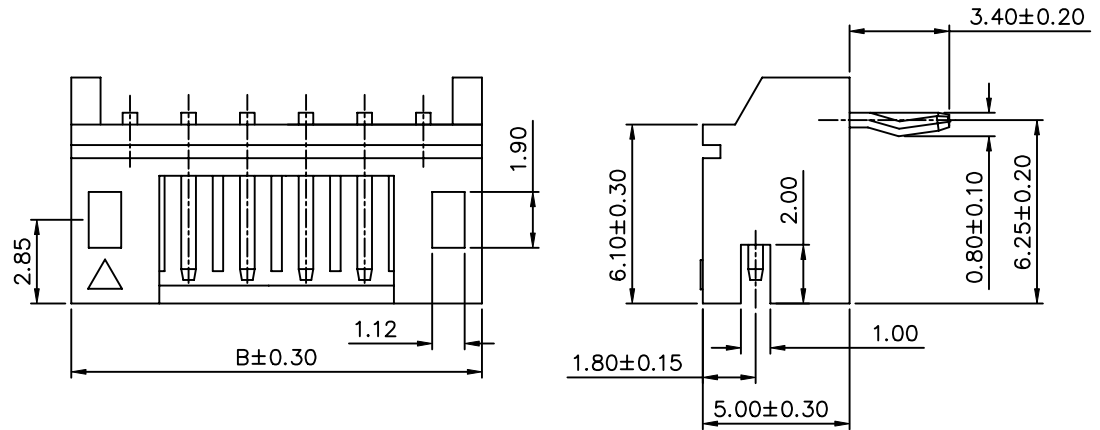


**SPECIFICATION**

Current Rating: 1A AC,DC  
 Voltage Rating: 100V AC,DC  
 Temperature Range: -25°C ~ +85°C  
 Contact Resistance: 20 Milliohms Max.  
 Insulation Resistance: 1000 Megaohms Min.  
 Withstanding Voltage: 800V AC/Minute  
 Insulator: PA66+30%GF, UL94V-0  
 Pin: Brass,  
     Underplated: Nickel  
     Whole Tin Plated  
 RoHS Compliant



Recommended P.C.B Layout(Top Side)  
 P.C.B Thickness=1.20mm  
 (Tolerance=±0.05)



| Poles | Dim.A | Dim.B |
|-------|-------|-------|
| 2     | 2.00  | 6.00  |
| 3     | 4.00  | 8.00  |
| 4     | 6.00  | 10.00 |
| 5     | 8.00  | 12.00 |
| 6     | 10.00 | 14.00 |
| 7     | 12.00 | 16.00 |
| 8     | 14.00 | 18.00 |
| 9     | 16.00 | 20.00 |
| 10    | 18.00 | 22.00 |
| 11    | 20.00 | 24.00 |
| 12    | 22.00 | 26.00 |
| 13    | 24.00 | 28.00 |
| 14    | 26.00 | 30.00 |
| 15    | 28.00 | 32.00 |
| 16    | 30.00 | 34.00 |

**4UCON** 元化興業股份有限公司  
 4UCON TECHNOLOGY INC.

|             |      |             |      |   |
|-------------|------|-------------|------|---|
| DRAWING No. |      | APPROVED BY |      | UNLESS OTHERWISE SPECIFIED TOLERANCES ARE<br>~10 ±0.15<br>20~30 ±0.30<br>30~ ±0.50<br>ANG ±2° |
| 01556       |      | MEI         |      |   |
|             |      | CHECKED BY  | HZF  |   |
|             |      | DRAWING BY  | PEGA |   |
| SCALE       | NONE | REV.        | BO   | UNIT mm   |

|      |      |             |     |            |
|------|------|-------------|-----|------------|
| NO.  | REV. | REVISIONS   | CHK | DATE       |
| △ BO |      | NEW RELEASE | HZF | 12/05/2006 |