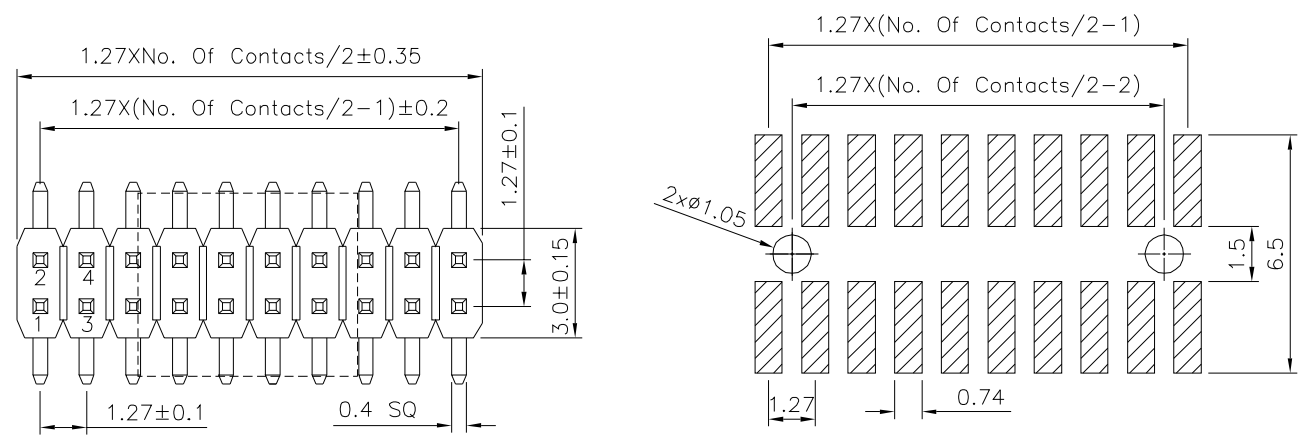
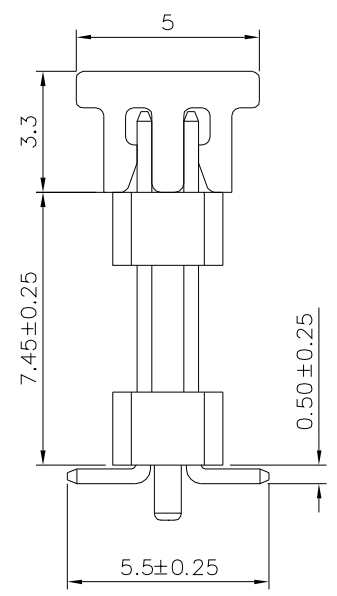
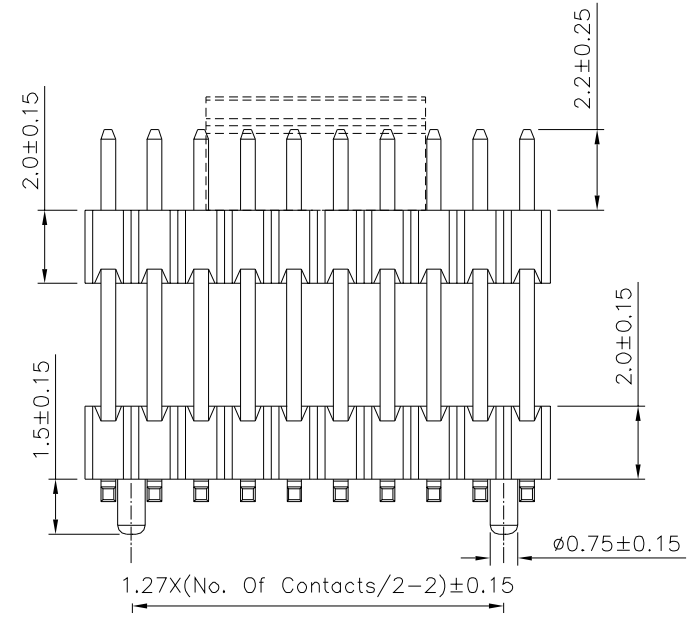


**SPECIFICATION**  
 Current Rating:1A  
 Withstand Voltage:500V AC Min./Minute  
 Contact Resistance:20 Milliohms Max.  
 Insulation Resistance:1000 Megaohms Min.  
 Operation Temperature:-40°C~+105°C  
 Insulator:PA9T(UL94V-0),Black  
 Contact:Brass,Gold Flash Over Nickel  
 RoHS Compliant



Recommended P.C.B. Layout(Top View)  
 (PCB Board Tolerance±0.05)



**4UCON** 元化興業股份有限公司  
 4UCON TECHNOLOGY INC.

DRAWING No.		APPROVED BY		UNLESS OTHERWISE SPECIFIED TOLERANCES ARE X. ±0.30 X.* ±2" .X ±0.25 .X* ±1.5" .XX ±0.20 .XX* ±1" .XXX ±0.15 .XXX* ±0.5"	
22951		MEI			
		CHECKED BY			
		HZF			
		DRAWING BY			
		CYP			
SCALE	NONE	REV.	A0	UNIT	mm

NO.	REV.	REVISIONS	CHK	DATE
△ A0		NEW RELEASE	HZF	08/06/2025