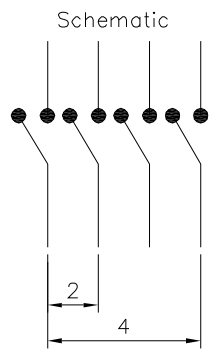
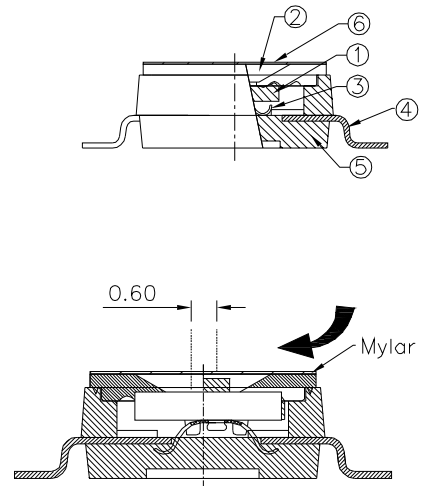
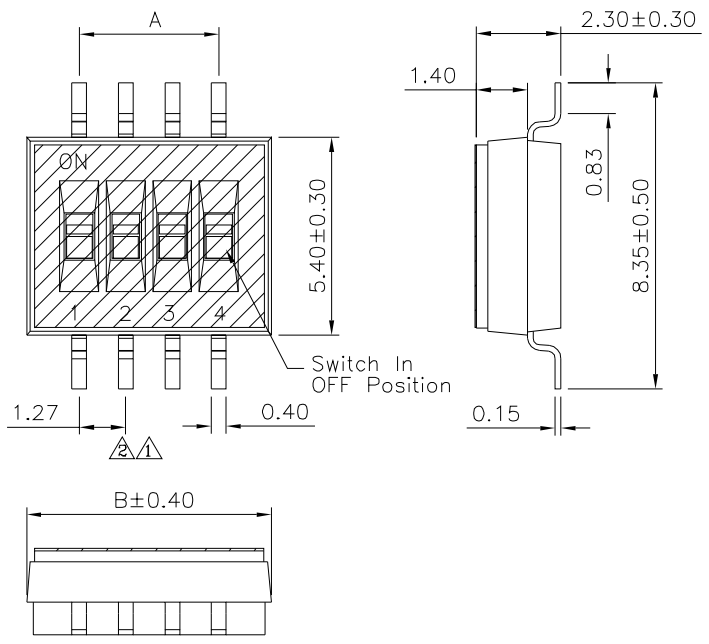


Recommended P.C.B. Layout(Top View)



△ SPECIFICATION

Current Rating:Non-Switching:DC 50V 100mA
 Switching:DC 24V 25mA
 Contact Resistance:50 Milliohms Max.
 Insulation Resistance:100 Megaohms Min.
 Withstand Voltage:500V AC(50Hz Or 60Hz)For One Minute
 Operation Temperature:-40°C~+85°C
 RoHS Compliant



Pin	A	B
02	1.27	4.14
03	2.54	5.41
04	3.81	6.68
05	5.08	7.95
06	6.35	9.22
08	8.89	11.29
10	11.43	13.83

△ No.	Description	Material	Remark
①	Actuator	LCP	White
②	Cover	PPS	Black
③	Contact	Phosphor Bronze	Gold Flash Over Nickel
④	Terminal	Brass	Gold Flash Over Nickel
⑤	Base	PPS	Black
⑥	Mylar	Kapton	

4UCON 元化興業股份有限公司
 4UCON TECHNOLOGY INC.

DRAWING No.		APPROVED BY		UNLESS OTHERWISE SPECIFIED TOLERANCES ARE .X ±0.3 .XX ±0.3
22684		MEI		
		CHECKED BY	HZF	
		DRAWING BY	CYP	
SCALE	NONE	REV.	A2	UNIT mm

NO.	REV.	REVISIONS	CHK	DATE
△ A2		Modify Data	HZF	07/09/2024
△ A1		Modify Data	HZF	03/14/2022
△ A0		NEW RELEASE	HZF	07/12/2021