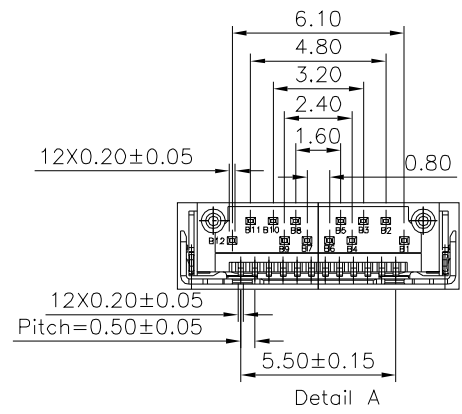
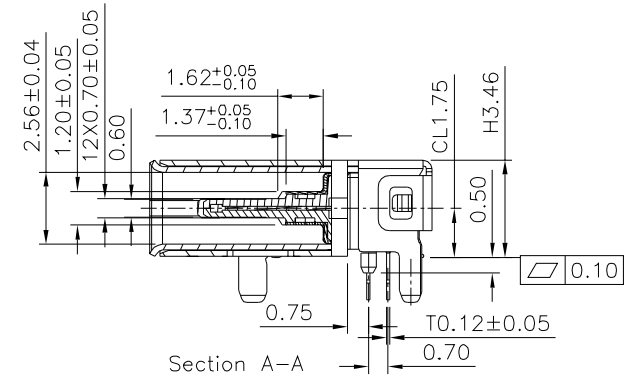
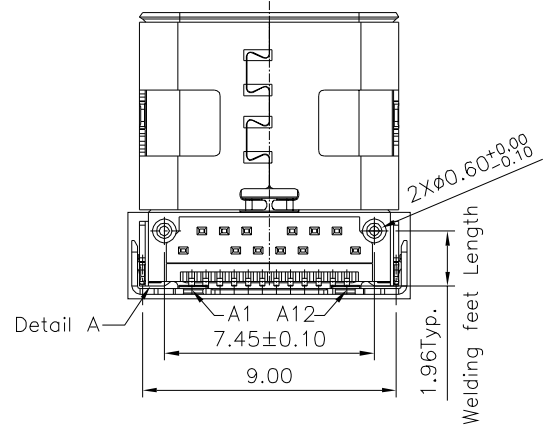
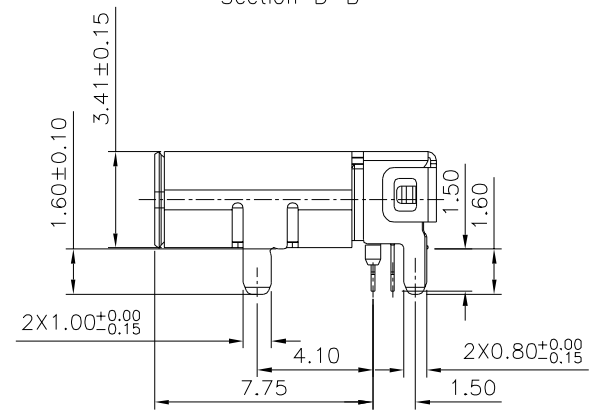
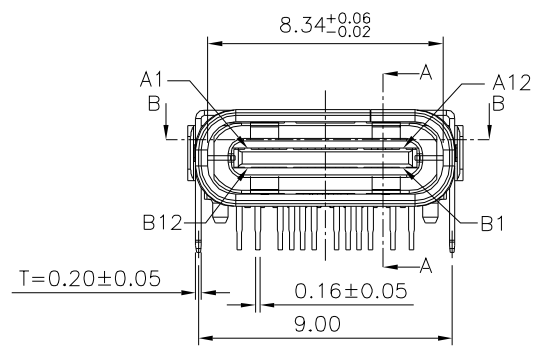
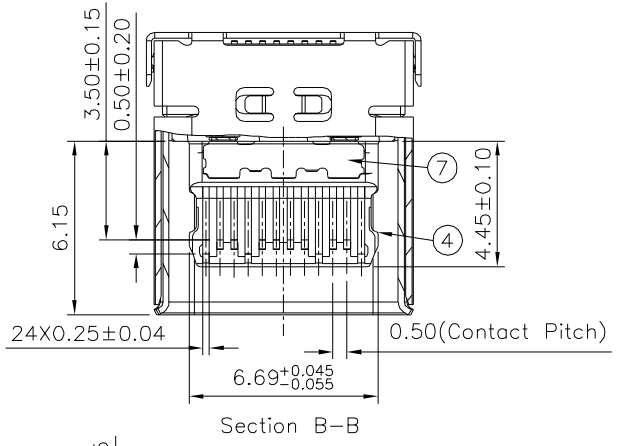
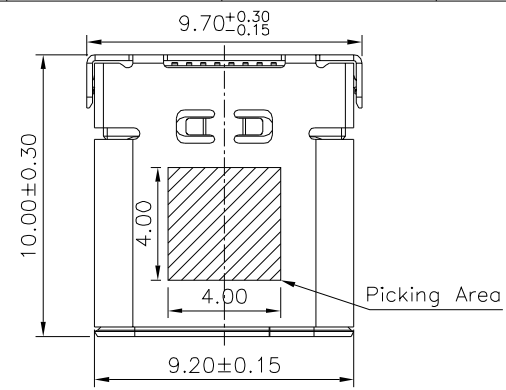


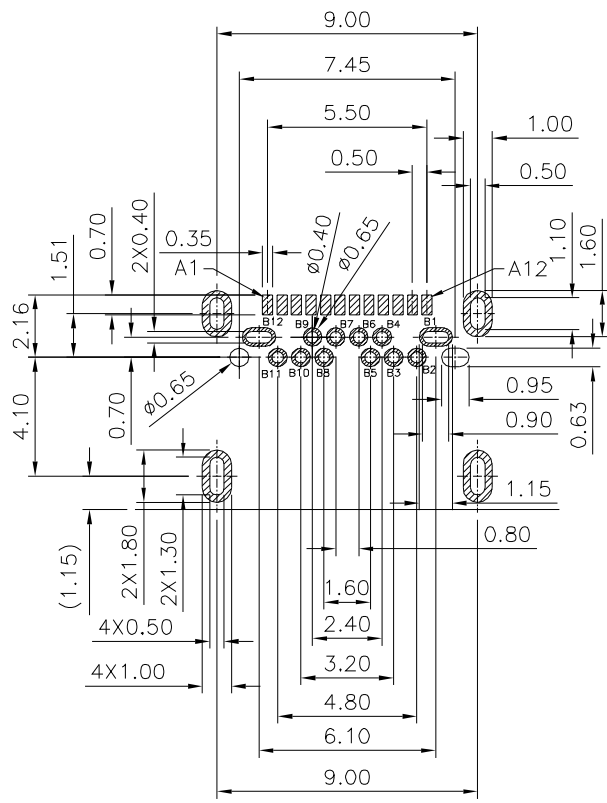
**SPECIFICATION**  
 Current Rating:5A For Pin(A4,A9,B4,B9)  
 1.25A For Pin(B5)  
 0.25A For Other Pins  
 Voltage Rating:20V  
 Insulation Resistance:100 Megaohms Min.  
 Contact Resistance:VBUS & GND Pins And  
 Other Pins:40 Milliohms/Pin Max.  
 Shield:50 Milliohms Max.  
 LLCR Max. Change Of All Pins:10 Milliohms  
 Dielectric Withstand Voltage:100V/AC 1 Minute  
 Operation Temperature:-25°C~+85°C  
 Insertion Force:5~20N  
 Extraction Force:Initial:8~20N  
 After Durability:6~20N  
 Durability:10000 Cycles  
 MID Plate,EMC Plate,Shell Connected Together  
 RoHS Compliant



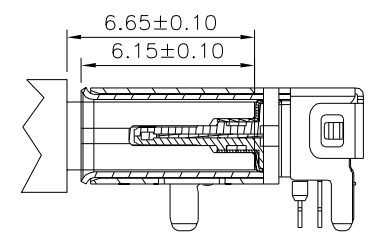
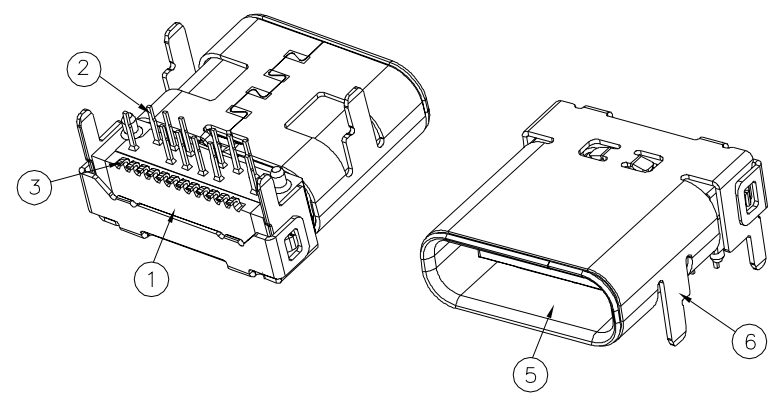
**4UCON** 元化興業股份有限公司  
 4UCON TECHNOLOGY INC.

DRAWING No.		APPROVED BY		UNLESS OTHERWISE SPECIFIED TOLERANCES ARE	
22658		MEI		.X ±0.30	
		CHECKED BY		.XX ±0.25	
		HZF		.XXX ±0.10	
DRAWING BY		LSM			
SCALE	NONE	REV.	A0	UNIT	mm

NO.	REV.	REVISIONS	CHK	DATE
△ A0		NEW RELEASE	HZF	10/17/2023



Recommended P.C.B. Layout(Component Side)  
(PCB Board Tolerance±0.05)



Mated Condition(Ref.)

USB Type-C Pin Assignments

Pin	Signal Name	Pin	Signal Name
A1	GND	B12	GND
A2	SSTXp1	B11	SSRXp1
A3	SSTXn1	B10	SSRXn1
A4	VBUS	B9	VBUS
A5	CC1	B8	SBU2
A6	Dp1	B7	Dn2
A7	Dn1	B6	Dp2
A8	SBU1	B5	CC2
A9	VBUS	B4	VBUS
A10	SSRXn2	B3	SSTXn2
A11	SSRXp2	B2	SSTXp2
A12	GND	B1	GND

No.	Description	Material	Remark	Q'ty
⑦	EMC Plate	Stainless Steel	Clear Only	2Pcs
⑥	Out Shell	Stainless Steel	Nickel Plated	1Pcs
⑤	Inner Shell	Stainless Steel	Nickel Plated	1Pcs
④	Shielding Plate	Stainless Steel	Clear Only	1Pcs
③	SMT Contact	Copper Alloy	Gold Plated On Contact Area, Tin Plated On Solder Tails, Over Nickel	1Set
②	DIP Contact	Copper Alloy	Plated On Solder Tails, Over Nickel	1Set
①	Housing	LCP(UL94V-0)	Black	1Pcs
No.	Description	Material	Remark	Q'ty

**4UCON** 元化興業股份有限公司  
4UCON TECHNOLOGY INC.

DRAWING No.		APPROVED BY		UNLESS OTHERWISE SPECIFIED TOLERANCES ARE .X ±0.30 .XX ±0.25 .XXX ±0.10
22658		MEI		
		CHECKED BY	HZF	
		DRAWING BY	LSM	
SCALE	NONE	REV.	A0	UNIT mm

NO.	REV.	REVISIONS	CHK	DATE
△ A0		NEW RELEASE	HZF	10/17/2023