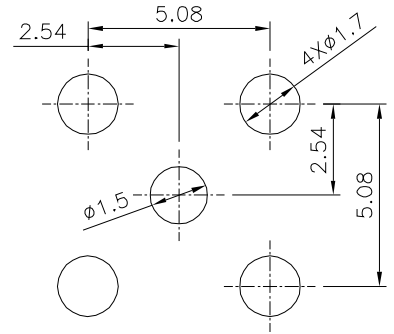
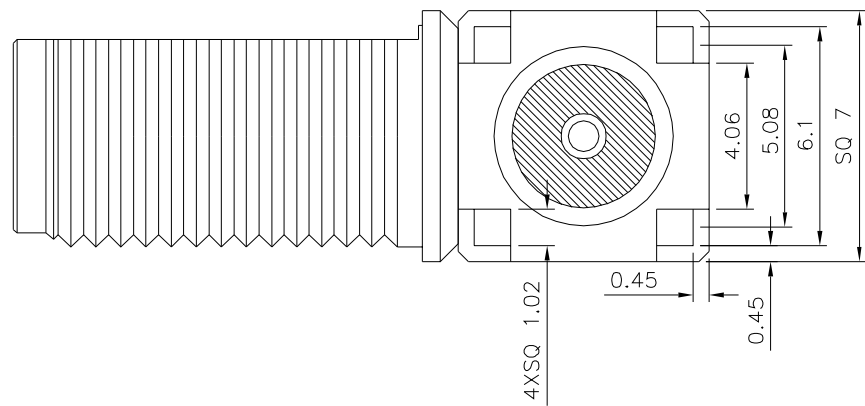
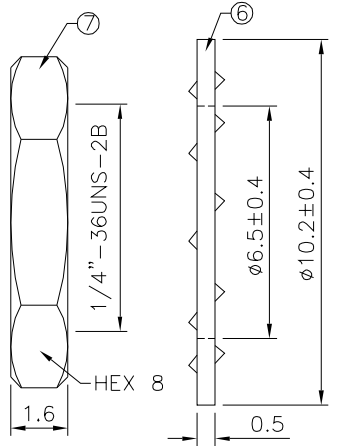
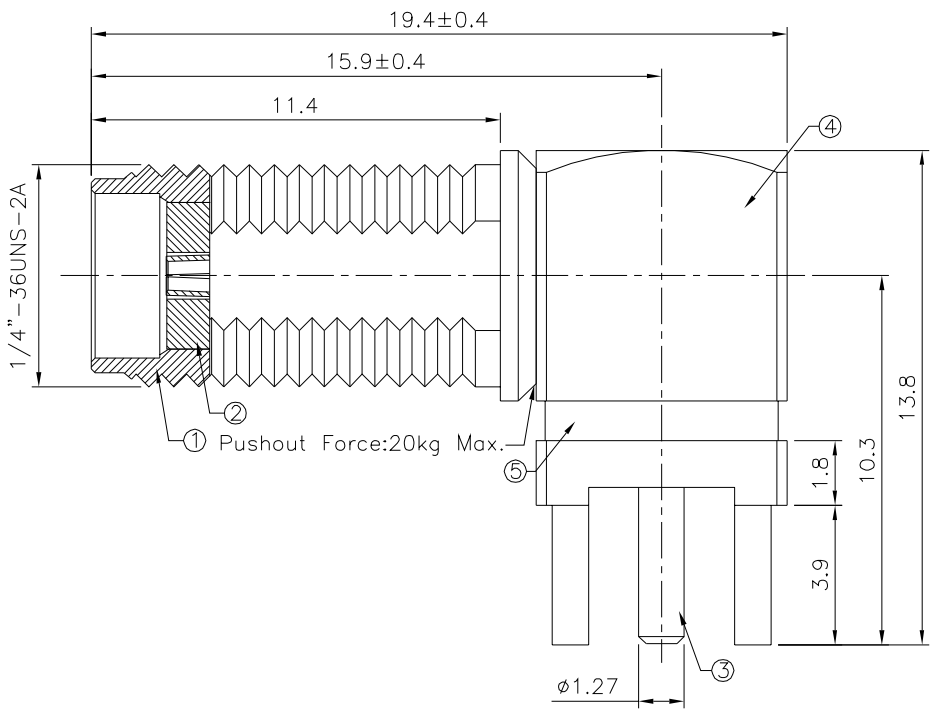
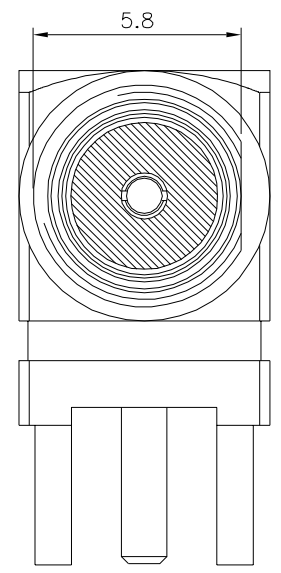


△ SPECIFICATION
 Working Voltage:500V AC
 Withstand Voltage:1000V AC/Mimute
 Contact Resistance:
 Center Contact:5.0 Milliohms Max.
 Outer Contact:2.5 Milliohms Max.
 Insulation Resistance:5000 Megaohms Min.
 Insertion Loss:DC~3GHz=-0.5dB Max.
 3~6GHz=-1.0dB Max.
 Temperature Range:-65°C~165°C
 Nominal Impedance:50 Ohms
 Frequency Range:DC~6 GHz
 VSWR:1.3 Max.
 RoHS Compliant



Recommended P.C.B. Layout

No.	Description	Q'ty	Material	Remark
⑦	Nut	1	Brass	Gold Plated Over Nickel
⑥	Washer	1	Brass	Gold Plated Over Nickel
⑤	Insulator	1	Teflon	—
④	Body	1	Brass	Gold Plated Over Nickel
③	Center Pin	1	Phosphor Bronze	Gold Plated Over Nickel
②	Insulator	1	Teflon	—
①	Body	1	Brass	Gold Plated Over Nickel
No.	Description	Q'ty	Material	Remark

4UCON 元化興業股份有限公司
 4UCON TECHNOLOGY INC.

DRAWING No.		APPROVED BY		UNLESS OTHERWISE SPECIFIED TOLERANCES ARE X. ±0.1 .X ±0.1 .XX ±0.1
21837		MEI		
		CHECKED BY		
HZF		DRAWING BY		
CYP		B1		UNIT mm
SCALE	NONE	REV.	B1	

NO.	REV.	REVISIONS	CHK	DATE
△	B1	Modify Data	HZF	09/12/2024
△	B0	NEW RELEASE	HZF	06/29/2023