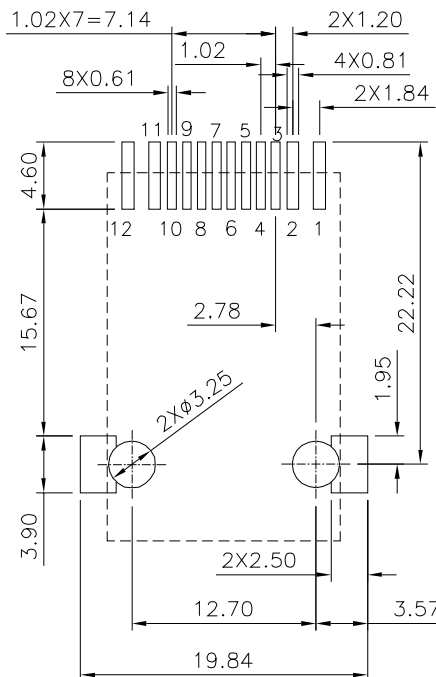
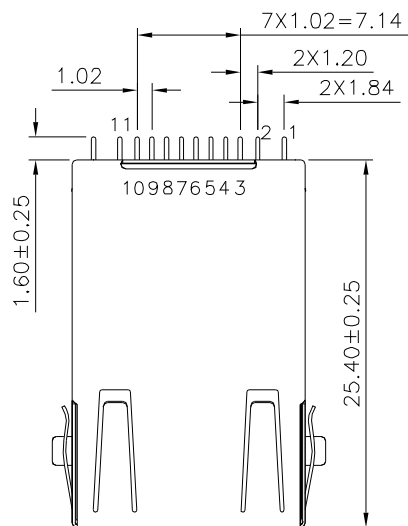
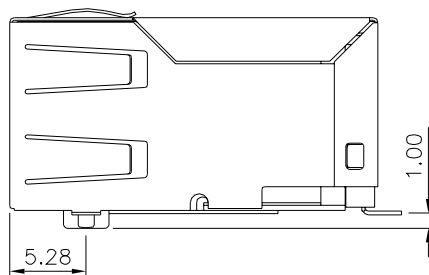
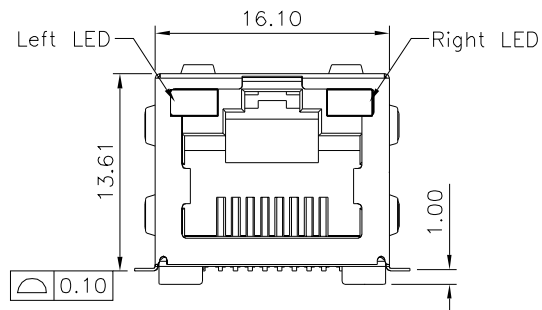


△ SPECIFICATION

Housing:LCP(UL94V-0)
 Contact:Phosphor Bronze
 Gold Plated 6 μ On Contact Area,Tin
 Plated On Solder Tails,Over Nickel
 Input Terminal:Phosphor Bronze,
 Tin Plated Over Nickel
 Metal Shield:Brass,Nickel Plated
 Operation Temperature:-40°C~+85°C
 RoHS Compliant



Recommended P.C.B. Layout(Component Side View)



△ LED Color Code Option & Circuit Schematic

Code	Color	Left LED	Right LED
B	Blue		
G	Green	12 ○	1 ○
O	Orange	11 ○	2 ○
R	Red		
Y	Yellow		

4UCON 元化興業股份有限公司
 4UCON TECHNOLOGY INC.

DRAWING No.

21594

APPROVED BY

MEI

CHECKED BY

HZF

DRAWING BY

CYP

UNLESS OTHERWISE SPECIFIED TOLERANCES ARE

.X ±0.38
 .XX ±0.25
 .XXX ±0.13

SCALE

NONE

REV.

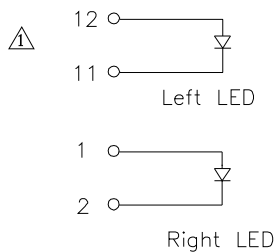
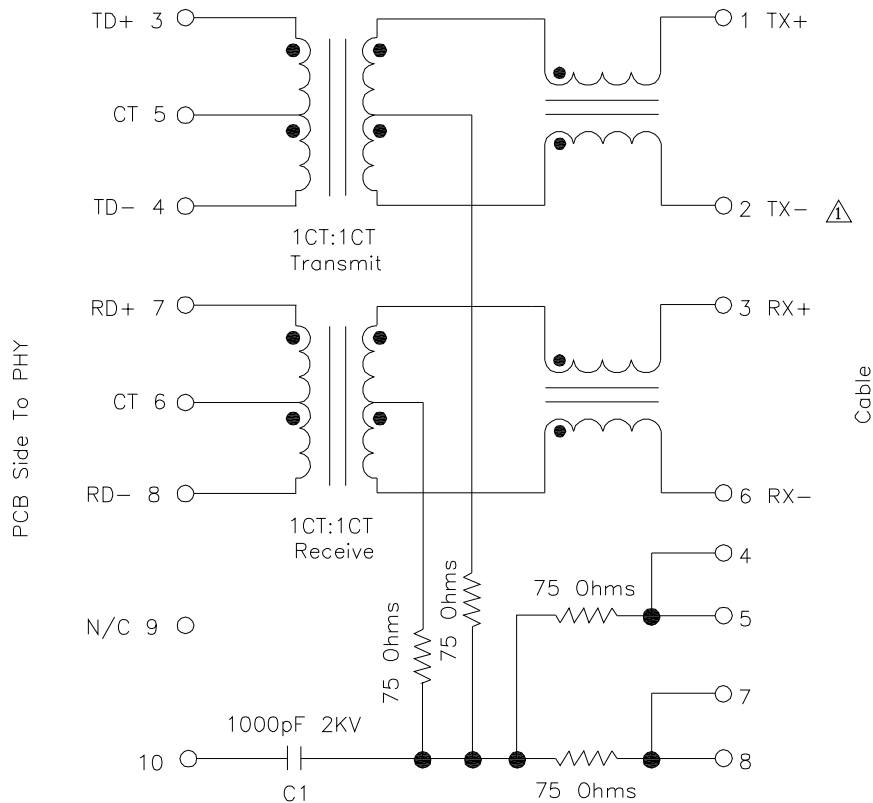
A1

UNIT mm



NO.	REV.	REVISIONS	CHK	DATE
△ A1		Modify Data	HZF	03/14/2023
△ A0		NEW RELEASE	HZF	09/21/2018

Schematic



⚠ ELECTRICAL SPECIFICATION @25°C

Complies With IEEE Standards And All 10/100 Ethernet Specifications Including 350uH With 8mA DC Bias

Insertion Loss dB Max.	Return Loss dB Min.			Common Mode Rejection dB Typ.	Crosstalk dB Typ.	Hi-Pot (V DC)	
1~100MHz	1~30MHz	60~80MHz	80~100MHz	1~100MHz	150MHz	1~100MHz	
-1.0	-18.0	-12.0	-10.0	-30.0	-20.0	-30.0	2250

RoHS Compliant

4UCON 元化興業股份有限公司
4UCON TECHNOLOGY INC.

DRAWING No.
21594

APPROVED BY
MEI
CHECKED BY
HZF
DRAWING BY
CYP

UNLESS OTHERWISE SPECIFIED TOLERANCES ARE
.X ±0.38
.XX ±0.25
.XXX ±0.13

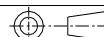
SCALE

NONE

REV.

A1

UNIT
mm



NO. REV.

NO.	REV.	REVISIONS	CHK	DATE
⚠ A1		Modify Data	HZF	03/14/2023
⚠ A0		NEW RELEASE	HZF	09/21/2018