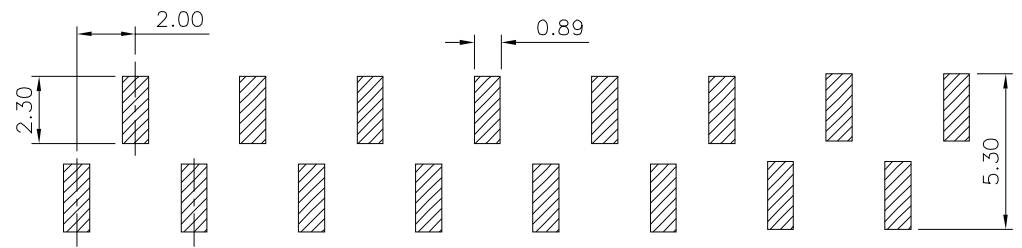
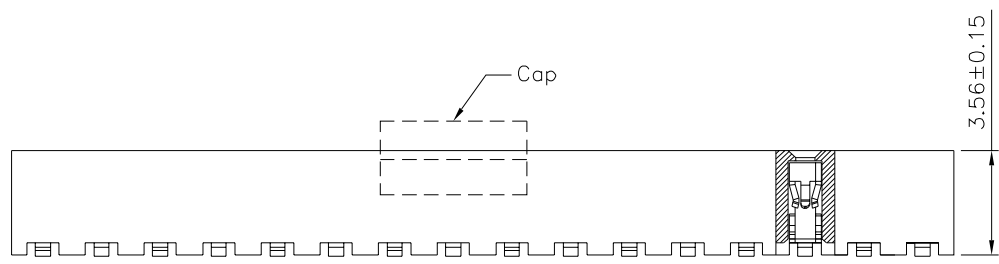
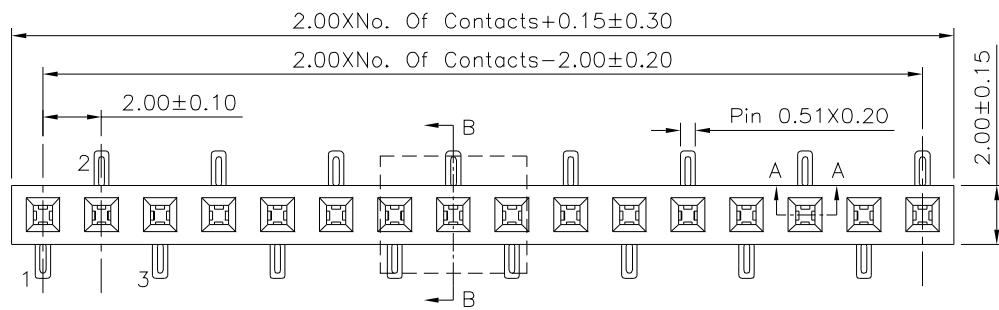


SPECIFICATION

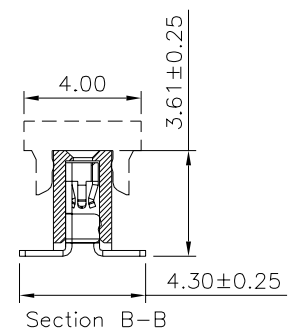
Current Rating:2.0 Amp
 Withstand Voltage:500V AC/DC
 Contact Resistance:20 Milliohms Max.
 Insulation Resistance:1000 Megaohms Min.
 Operation Temperature:-40°C~+105°C
 Contact:Phosphor Bronze,Gold Plated Over Nickel
 Insulator:PA9T+30%G.F.(UL94V-0),Black
 RoHS Compliant



Recommended P.C.B. Layout(Top Side)
 (PCB Board Tolerance±0.05)



Section A-A



Section B-B

4UCON 元化興業股份有限公司
 4UCON TECHNOLOGY INC.

DRAWING No.		APPROVED BY		UNLESS OTHERWISE SPECIFIED TOLERANCES ARE .X ±0.40 .XX ±0.25 .XXX ±0.15 ANG. ±3°
21473		MEI		
		CHECKED BY	HZF	
		DRAWING BY	CYP	
SCALE	NONE	REV.	A0	UNIT mm

NO.	REV.	REVISIONS	CHK	DATE
△ A0		NEW RELEASE	HZF	11/16/2016