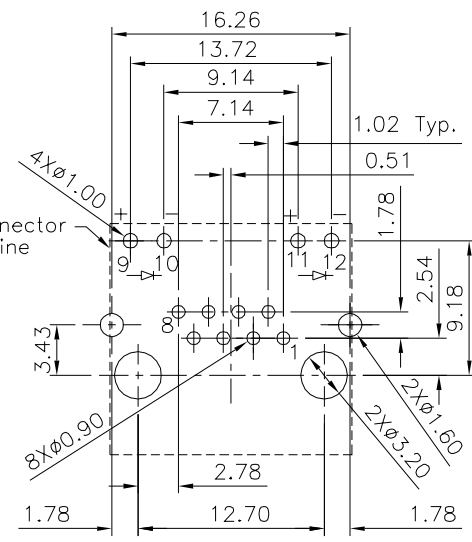
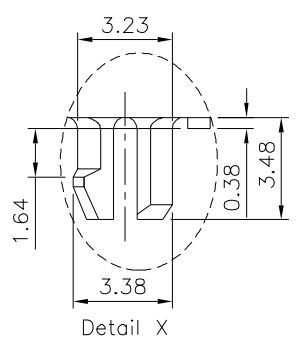
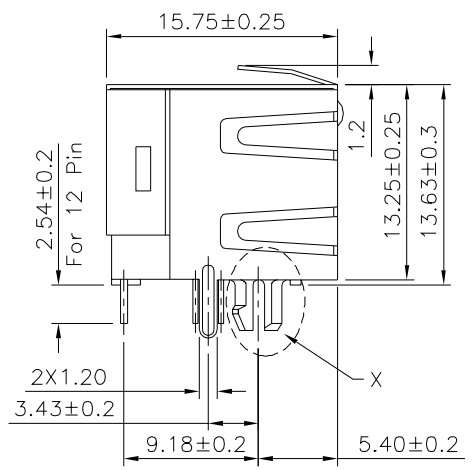
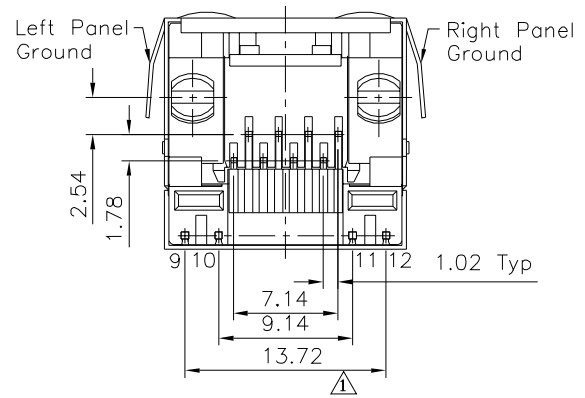
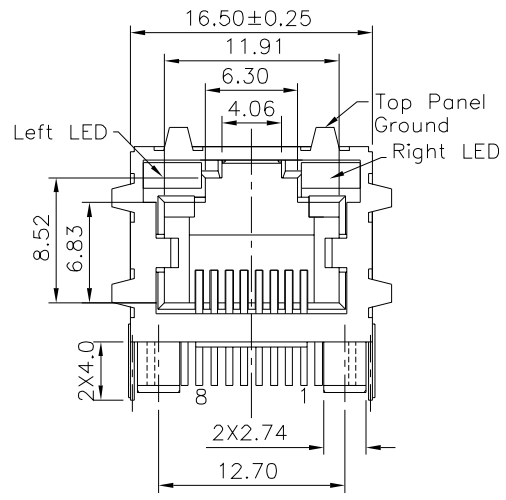
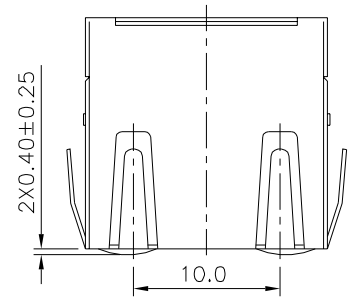


△ SPECIFICATION

Current Rating:1.5A Max.
 Voltage Rating:150V AC Max.
 Operating Temperature:-40°C~+85°C
 Insulation Resistance:500 Megohms Min. Initial
 At 500V DC
 Contact Resistance:20 Milliohms Max. Initial
 Dielectric Withstanding Voltage:
 1000V RMS. At 60Hz,1 Minute Between
 Adjacent Contacts
 1500V RMS. At 60Hz,1 Minute Between
 Shield And Contacts
 Housing:PA46(UL94V-0),Black
 Contact:Phosphor Bronze
 Shield:Brass,Nickel Plated
 Cavity Conforms To FCC Rules And Regulations
 Part 68,Subpart F.
 RoHS Compliant



Recommended P.C.B. Layout(Top View)
 (PCB Board Tolerance±0.05)



Item	Left LED Color	Right LED Color
17893	Yellow	Green
21305	Green	Yellow

4UCON 元化興業股份有限公司
 4UCON TECHNOLOGY INC.

DRAWING No. △		APPROVED BY MEI		UNLESS OTHERWISE SPECIFIED TOLERANCES ARE .X ±0.25 .XX ±0.13 .XXX ±0.05 ANG. ±0.5°
21305		CHECKED BY HZF		
SCALE NONE		DRAWING BY CYP		
REV.	B1	UNIT mm		

NO.	REV.	REVISIONS	CHK	DATE
△	B1	Modify Data	HZF	10/11/2021
△	B0	Modify Data	HZF	02/10/2020
△	B0	NEW RELEASE	HZF	02/10/2020