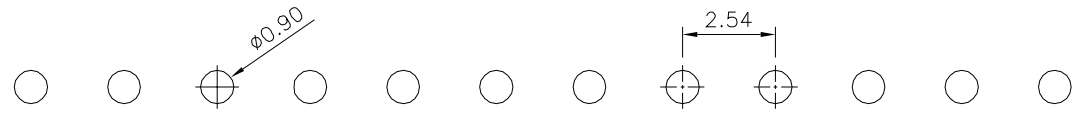
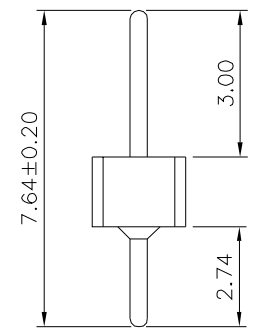
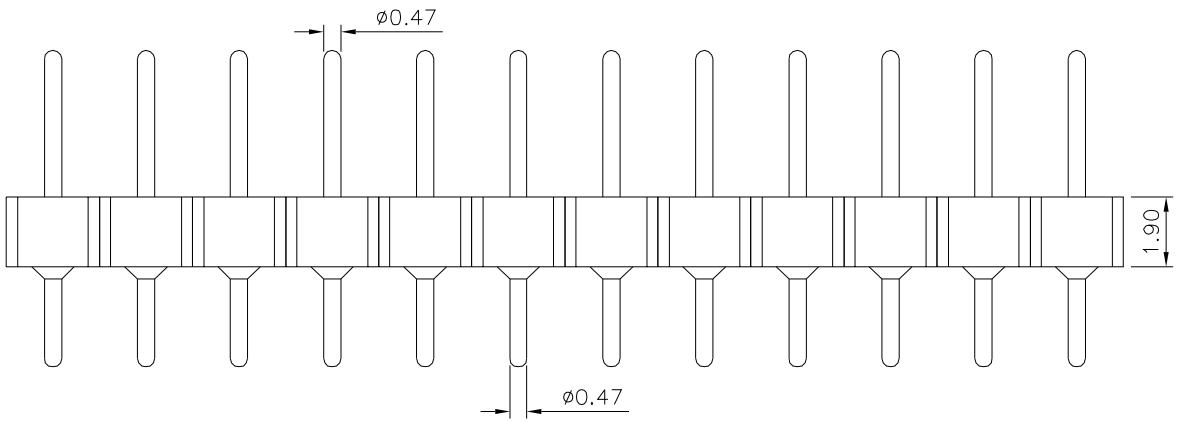
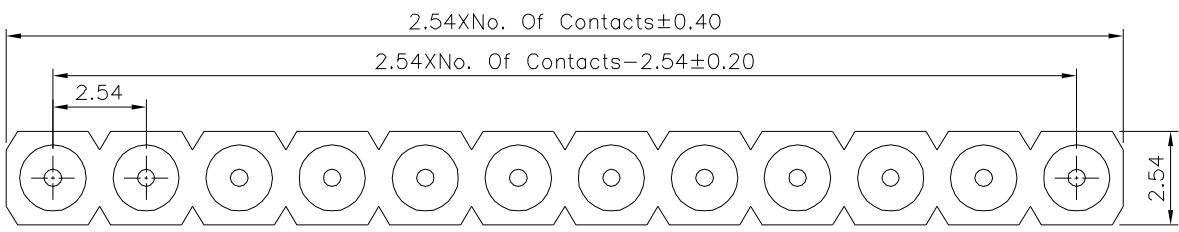


SPECIFICATION

Current Rating:3 Amps/Contact Max.
 Contact Resistance:4 Milliohms/Contact Max.
 Insulation Resistance:1000 Megaohms Min. At 100V
 Operating Voltage:60V AC/DC
 Operating Temperatures:-55°C~+105°C
 Pin:Brass,Gold Flash Over All,Over Nickel
 Insulator:PPS(UL94V-0),Black
 RoHS Compliant



Recommended P.C.B. Layout



4UCON 元化興業股份有限公司
 4UCON TECHNOLOGY INC.

DRAWING No.		APPROVED BY		UNLESS OTHERWISE SPECIFIED TOLERANCES ARE X. ± 0.50 .X ± 0.30 .XX ± 0.20 .XXX ± 0.10 ANG. $\pm 5^\circ$
21173		MEI		
		HZF		
		DRAWING BY		
		HAO		
SCALE	NONE	REV.	A0	UNIT
				mm

NO.	REV.	REVISIONS	CHK	DATE
△ A0		NEW RELEASE	HZF	03/19/2015