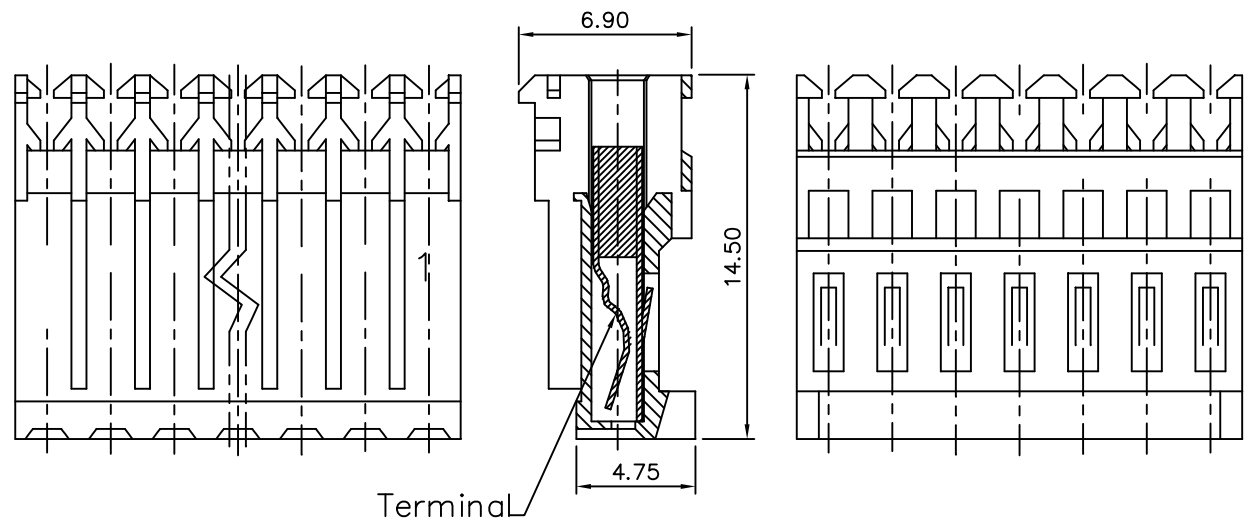
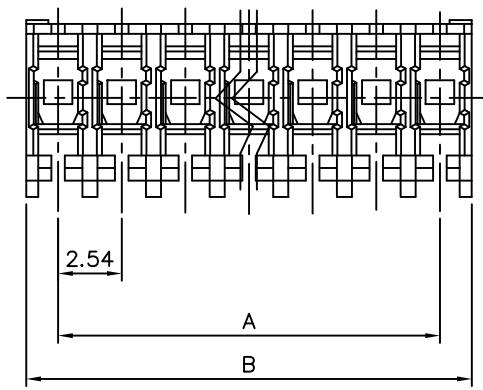


**SPECIFICATIONS**

Insulator:Nylon,UL 94V-2  
 Contact:Brass  
 Applicable Wire:#26  
 Electrical Rating:UL 250V 2A,AC/DC  
 CSA 250V 2A,AC/DC  
 Circuit: 2 ~28



| Circuits | Dim.A | Dim.B | Circuits | Dim.A | Dim.B |
|----------|-------|-------|----------|-------|-------|
| 2        | 2.54  | 5.08  | 16       | 38.10 | 40.64 |
| 3        | 5.08  | 7.62  | 17       | 40.64 | 43.18 |
| 4        | 7.62  | 10.16 | 18       | 43.18 | 45.72 |
| 5        | 10.16 | 12.70 | 19       | 45.72 | 48.26 |
| 6        | 12.70 | 15.24 | 20       | 48.26 | 50.80 |
| 7        | 15.24 | 17.78 | 21       | 50.80 | 53.34 |
| 8        | 17.78 | 20.32 | 22       | 53.34 | 55.88 |
| 9        | 20.32 | 22.86 | 23       | 55.88 | 58.42 |
| 10       | 22.86 | 25.40 | 24       | 58.42 | 60.96 |
| 11       | 25.40 | 27.94 | 25       | 60.96 | 63.50 |
| 12       | 27.94 | 30.48 | 26       | 63.50 | 66.04 |
| 13       | 30.48 | 33.02 | 27       | 66.04 | 68.58 |
| 14       | 33.02 | 35.56 | 28       | 68.58 | 71.12 |
| 15       | 35.56 | 38.10 |          |       |       |

**4UCON** 元化興業股份有限公司  
 4UCON TECHNOLOGY INC.

DRAWING No. 19542  
 APPROVED BY MEI  
 CHECKED BY BECKY  
 DRAWING BY TCF  
 SCALE NONE  
 REV. A0  
 UNIT mm

UNLESS OTHERWISE SPECIFIED TOLERANCES ARE  
 .X ±0.30  
 .XX ±0.20  
 ANG.  
 A0 NEW RELEASE  
 NO. REV. REVISIONS CHK DATE