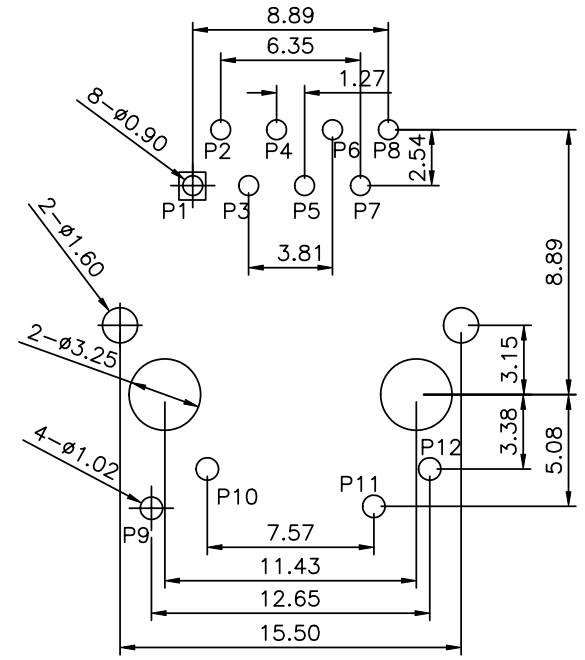
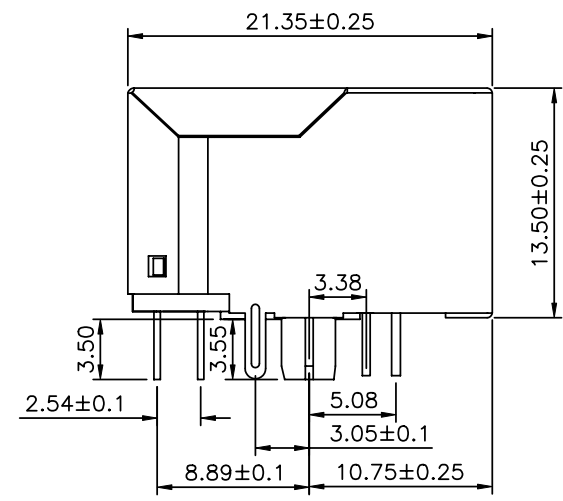
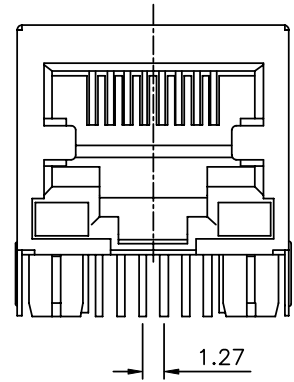
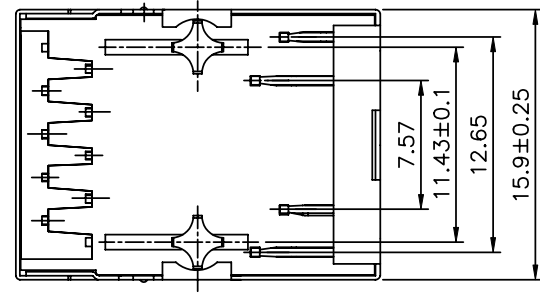


SPECIFICATION

Connector Material:
 Housing:Thermoplastic UL94V-0
 Contact/Shield:Cooper Alloy
 Shield Plating:Nickel
 Contact Plating:Selective Gold Plated In Contact Area
 Pin Not Electrically Connected Maybe Omitted See
 Electrical Drawing For Omitted Pins
 Tolerances Comply With FCC Dimension Requirements
 Wave Solder Compatible-Preheat 125°C/90Secs
 RoHS Compliant



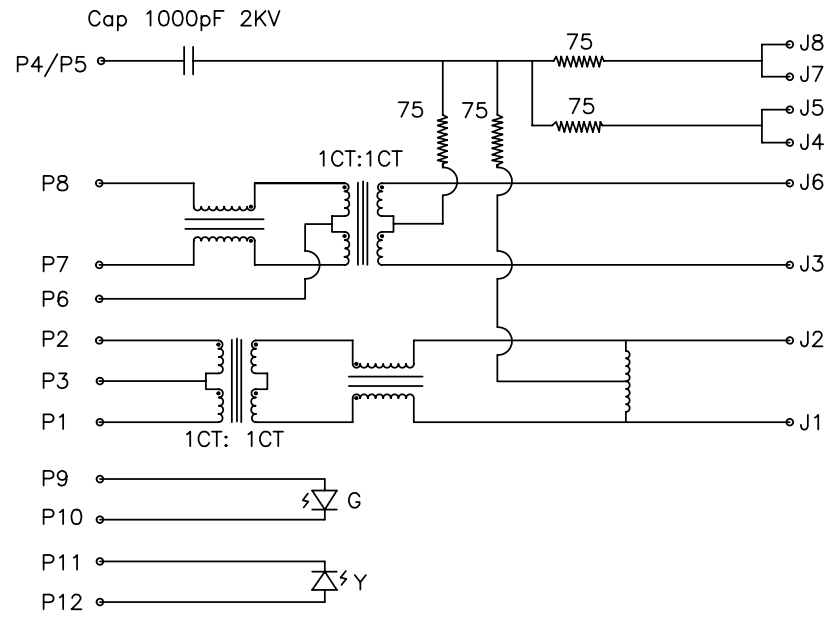
PCB Recommended Hole Layout Seen From Component Side All Centerline Dimensions Are Basic

| LED Specification | | | |
|-------------------|------------|----------------|------|
| Standard LED | Wavelength | Forward V(Max) | Typ |
| Green | 565nm | 2.4V | 2.2V |
| Yellow | 590nm | 2.5V | 2.1V |

4UCON 元化興業股份有限公司
 4UCON TECHNOLOGY INC.

| | | | | |
|-------------|------|----------------|----|---|
| DRAWING No. | | APPROVED BY | | UNLESS OTHERWISE SPECIFIED TOLERANCES ARE .X ±0.25 ANG: |
| 19154 | | MEI | | |
| | | CHECKED BY HZF | | |
| | | DRAWING BY JLT | | |
| SCALE | NONE | REV. | A0 | UNIT mm |

| | | | |
|---------|-------------|-----|------------|
| △ A0 | NEW RELEASE | HZF | 03/17/2008 |
| NO.REV. | REVISIONS | CHK | DATE |



Electrical Specifications:

- 1.0 Turn Ratio:(P1~P2):(J1~J2):1:1±3%
(P7~P8):(J3~J6):1:1±3%
- 2.0 Inductance:(P1~P2):350uH Min@0.1V,100KHz,8mA DC Bias
(P7~P8):350uH Min@0.1V,100KHz,8mA DC Bias
- 3.0 Leakage Inductance:P1~P2(With J1 And J2 Short):0.35uH Max @1 MHz
P7~P8(With J3 And J6 Short):0.35uH Max @1 MHz
- 4.0 Interwindind:Capacitance:(P1~P2):(J1~J2):35pF Max @ 1MHz
(P7~P8):(J3~J6):35pF Max @ 1MHz
- 5.0 DC Resistance:(J1~J2):(P7~P8):1.2 Ohms Max
- 6.0 Return Loss:1MHz~30MHz:-18dB Min
30MHz~80MHz:-12dB Min
- 7.0 Dielectric Withstand:(P1~P2):(J1~J2):1500VAC
(P7~P8):(J3~J6):1500VAC
- 8.0 Insertion Loss:Rs=RL=100 Ohm
100KHz~80MHz:-1.2dB Min
- 9.0 Cross Talk:1MHz~100MHz:35dB Typ
- 10.0 Common~Common Mode Attenuation:30MHz~100MHz:30dB Typ

4UCON 元化興業股份有限公司
4UCON TECHNOLOGY INC.

| | | | | |
|-------------|------|----------------|----|---|
| DRAWING No. | | APPROVED BY | | UNLESS OTHERWISE SPECIFIED TOLERANCES ARE .X ±0.25 ANG: |
| 19154 | | MEI | | |
| | | CHECKED BY HZF | | |
| | | DRAWING BY JLT | | |
| SCALE | NONE | REV. | A0 | UNIT mm |

| | | | | |
|------|------|-------------|-----|------------|
| NO. | REV. | REVISIONS | CHK | DATE |
| △ A0 | | NEW RELEASE | HZF | 03/17/2008 |