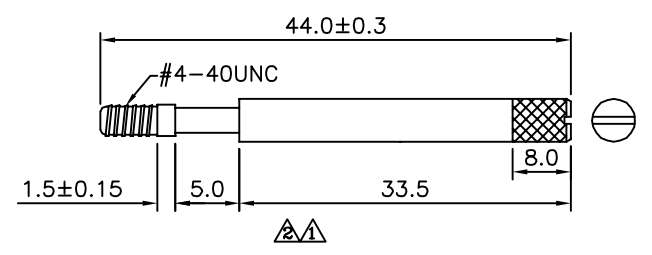
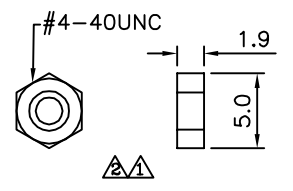
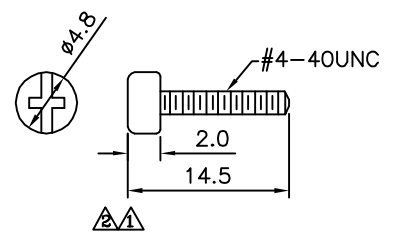
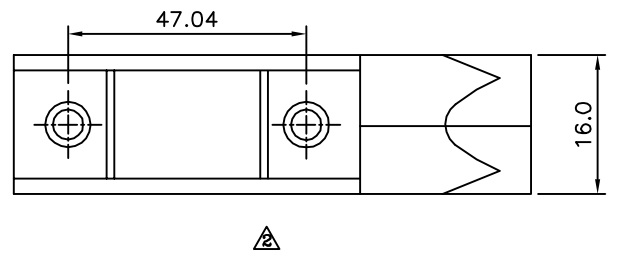
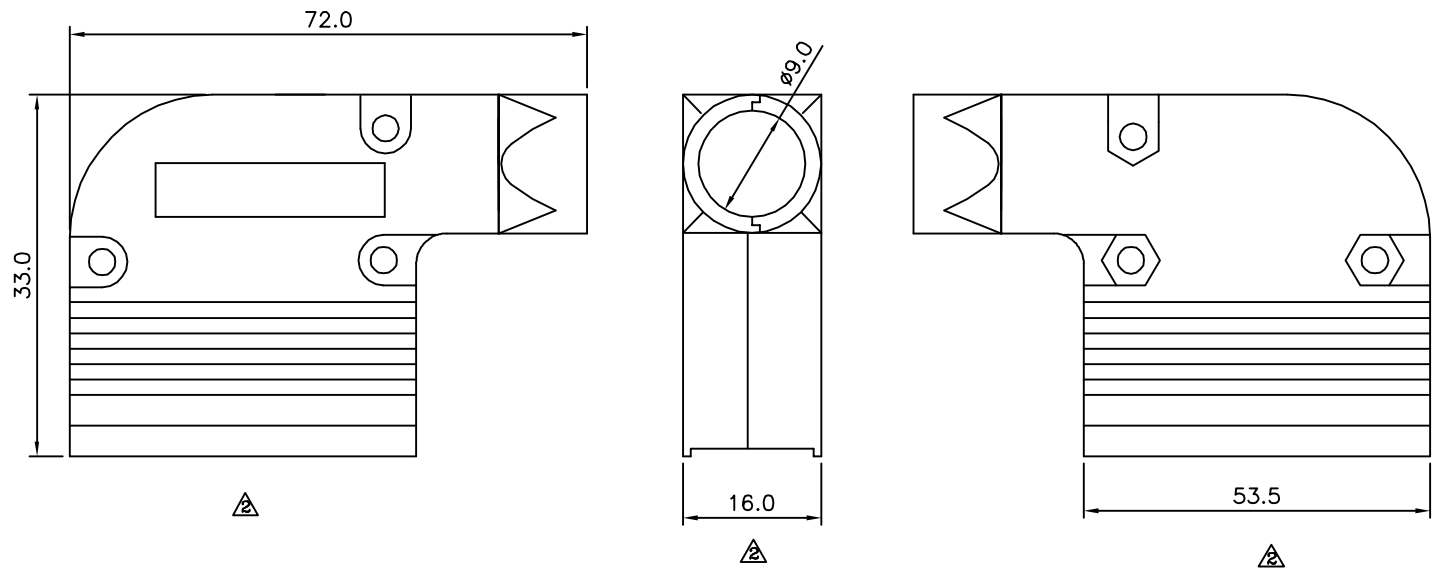


**△ SPECIFICATION**  
 Material: Zinc Alloy, Nickel Plated  
 Screw: Steel, Nickel Plated  
 RoHS Compliant



**4U CON** 元化興業股份有限公司  
 4U CON TECHNOLOGY INC.

DRAWING No.		APPROVED BY		UNLESS OTHERWISE SPECIFIED					
19133		EMILY		TOLERANCES ARE					
		CHECKED BY		X. ±0.5		△ A2	Modify Data	HZF	07/21/2015
		HZF		.X ±0.3		△ A1	Add Screw Drawing	INGRID	12/31/2007
		DRAWING BY		.XX ±0.2		△ A0	NEW RELEASE	BECKY	09/10/2004
		CYP		ANG. ±5°					
SCALE	NONE	REV.	A2	UNIT	mm				
						NO. REV.	REVISIONS	CHK	DATE