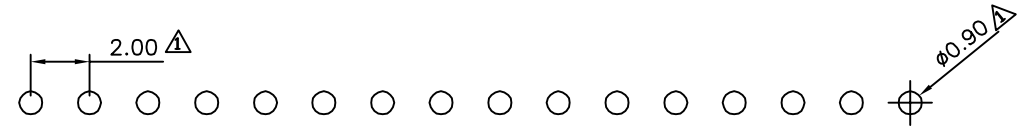
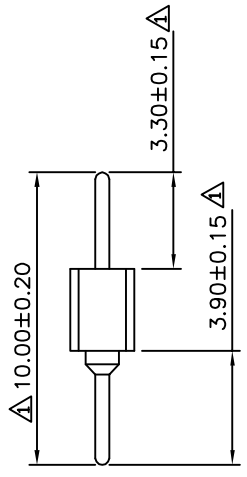
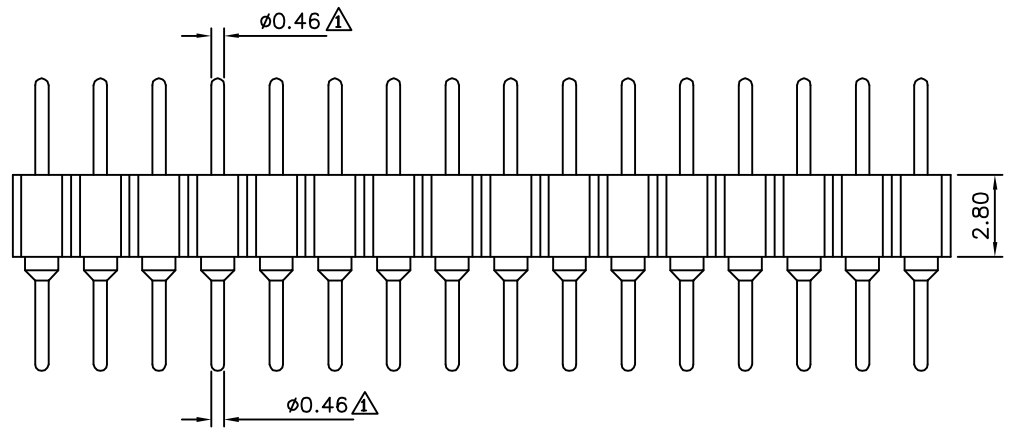
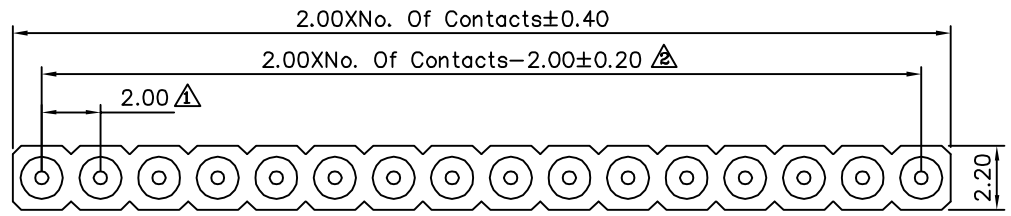


△ SPECIFICATION

Current Rating:3 Amps/Contact Max.
 Contact Resistance:4 Milliohms/Contact Max.
 Insulation Resistance:1000 Megaohms Min. At 100V
 Operation Voltage:60V AC/DC
 Operation Temperature:-55°C~+105°C
 Contact:Brass,Gold Flash Over All,Over Nickel
 Insulator:PPS(UL94V-0),Black
 RoHS Compliant



Recommended P.C.B. Layout



4UCON 元化興業股份有限公司
 4UCON TECHNOLOGY INC.

| | | | |
|-------------|------|-------------|----|
| DRAWING No. | | APPROVED BY | |
| 18889 | | MEI | |
| | | CHECKED BY | |
| | | HZF | |
| | | DRAWING BY | |
| | | CYP | |
| SCALE | NONE | REV. | A2 |

UNLESS OTHERWISE SPECIFIED TOLERANCES ARE
 X. ±0.50
 XX ±0.30
 XXX ±0.20
 .XXX ±0.10
 ANG. ±5°

| | | | | |
|------|------|-------------|-------|------------|
| NO. | REV. | REVISIONS | CHK | DATE |
| △ A2 | | Modify Data | HZF | 12/09/2015 |
| △ A1 | | UPDATE DIM | HZF | 05/05/2008 |
| △ A0 | | NEW RELEASE | BECKY | 08/17/2005 |