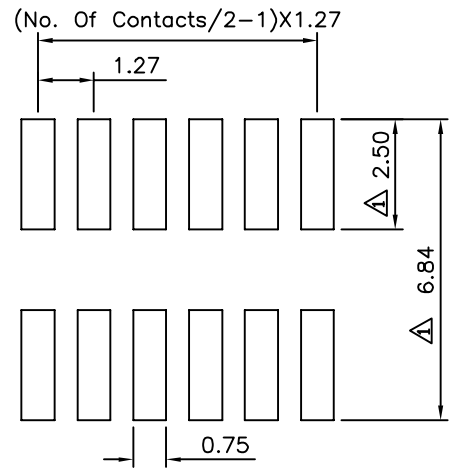
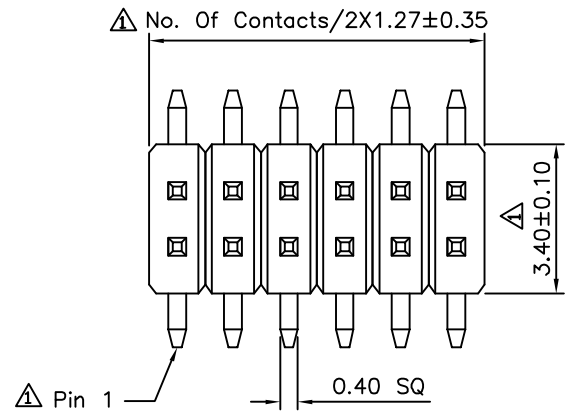
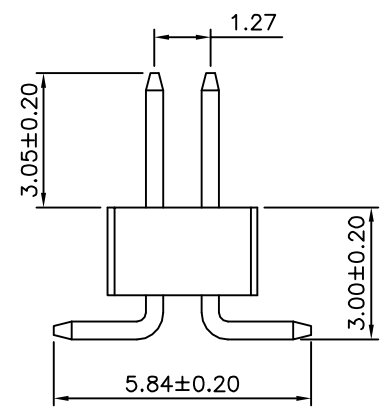
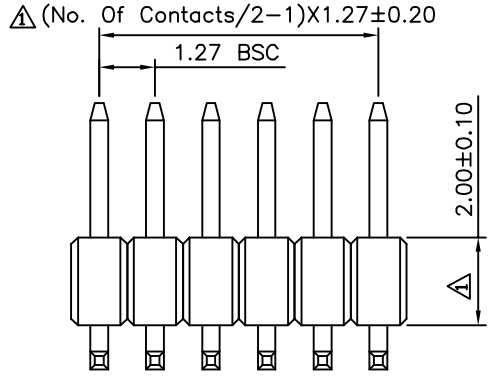


△ SPECIFICATION

Current:1A
 Withstand Voltage:1000V AC Minute
 Contact Resistance:20 Milliohms Max.
 Insulation Resistance:5000 Megaohms Min.
 Operation Temperature:-55°C~+105°C
 Housintg:PA6T(UL94V-0),Black
 △ Contact:Copper Alloy
 Gold Plated 10u" On Contact Area,
 Tin Plated On Solder Tail,Under Nickel
 No. Of Contacts:04~80 Contacts
 RoHS Compliant



Recommended P.C.B. Layout



△

4UCON 元化興業股份有限公司
 4UCON TECHNOLOGY INC.

DRAWING No.		APPROVED BY		UNLESS OTHERWISE SPECIFIED TOLERANCES ARE .X ±0.38 .XX ±0.25 ANG. ±5°
18791		MEI		
		CHECKED BY	HZF	
		DRAWING BY	QQJ	
SCALE	NONE	REV.	A2	UNIT mm

NO.	REV.	REVISIONS	CHK	DATE
△ A2		Modify Data	HZF	11/30/2010
△ A1		Modify Data	HZF	10/26/2010
△ A0		NEW RELEASE	INGRID	06/06/2007