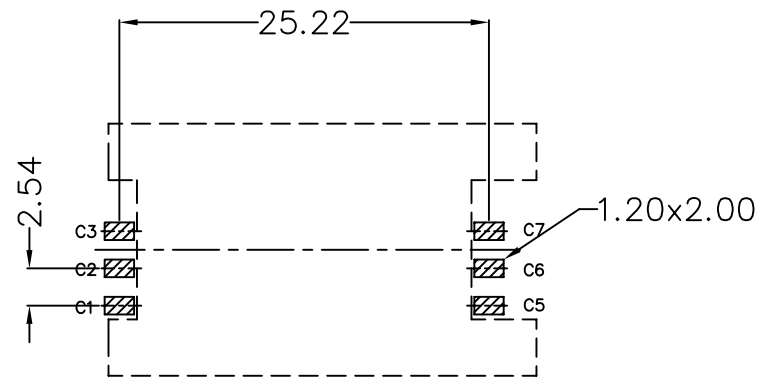
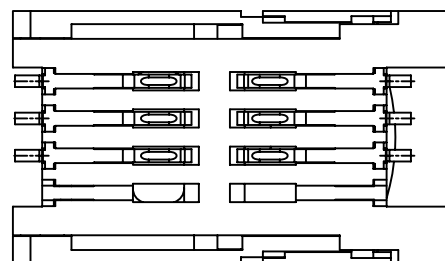
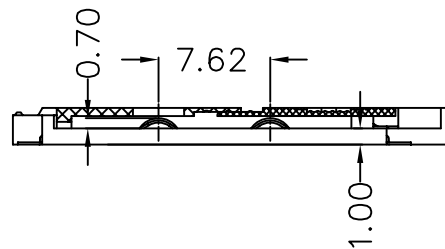
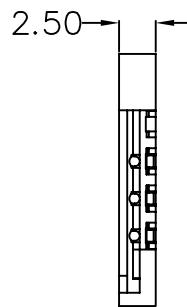
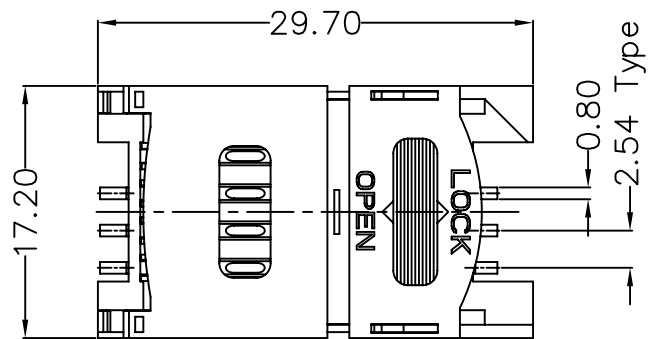
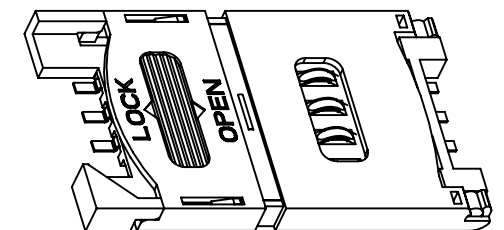


SPECIFICATIONS

Housing: Thermoplastic (UL94 V-0)  
 Terminal: Phosphor Bronze, Gold Plating On Contact Area,  
 Tin Plating On Solder Tail.  
 Current Rating: 0.5A Max.  
 Dielectric Withstanding Voltage: 500V AC R.M.S. For 1 Minute  
 Insulation Resistance: 1000 Megohms Min. At DC 500V  
 Contact Resistance: 50 milliohms Max.  
 Durability: 5000 Cycles  
 Manual Soldering: 360°C, 3Sec Max.  
 Vapor Phase : 215°C, 30Sec Max.  
 IR Reflow: 260°C, 15Sec Max.  
 Operation Temperature: -25°C To +85°C  
 RoHS Compliant



(.XX±0.05)  
 REFERENCE PCB LAYOUT



**4UCON** 元化興業股份有限公司  
 4UCON TECHNOLOGY INC.

DRAWING No.  
 18768

APPROVED BY MEI  
 CHECKED BY SHIN  
 DRAWING BY XSH 11/29-2007

UNLESS OTHERWISE SPECIFIED TOLERANCES ARE  
 .X ±0.38  
 .XX ±0.25  
 ANG. ±1°

SCALE NONE REV. A0

UNIT mm

NO.	REV.	DESCRIPTION	CHK	DATE
△	A0	NEW RELEASE	XSH	11/29-2007
		REVISIONS	CHK	DATE