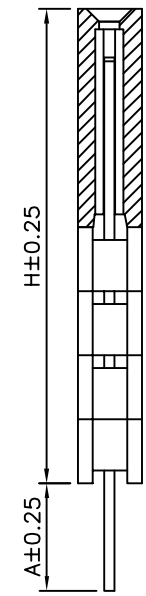
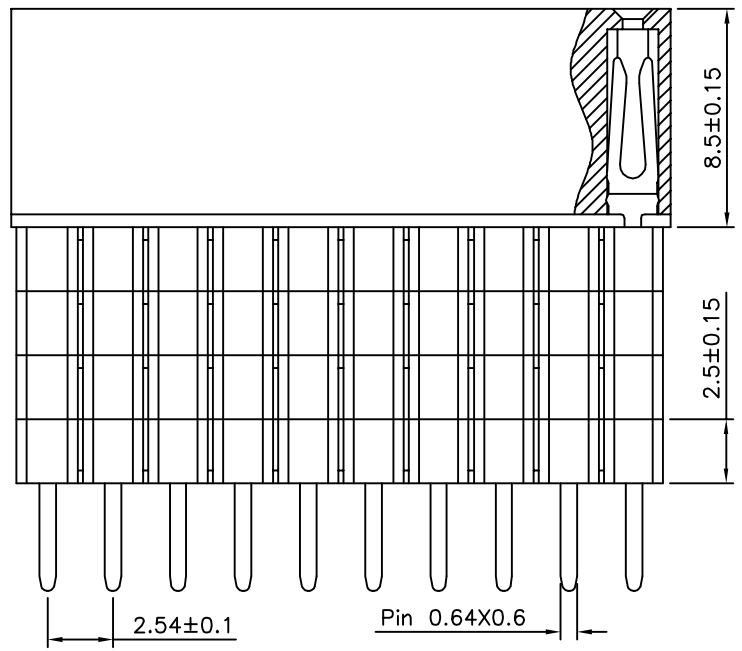
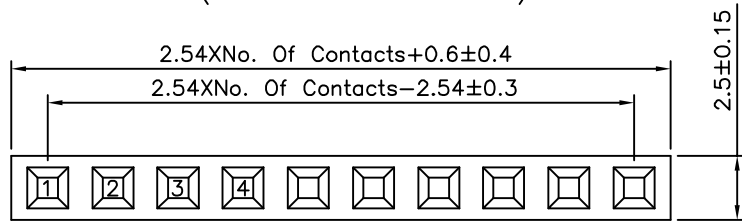


Recommended P.C.B. Layout(Top View)  
 (PCB Board Tolerance $\pm 0.05$ )



**SPECIFICATION**  
 Current Rating:3A  
 Withstand Voltage:1000V AC  
 Contact Resistance:20 Milliohms Max.  
 Insulation Resistance:1000 Megaohms Min.  
 Operating Temperature:-40°C~+105°C  
 Insulator:PA6T(UL94V-0),Black  
 Contact:Brass,Gold Flash Over Nickel  
 RoHS Compliant

Series No.	Plastic Q'ty	H	A
0196	1	11.00	2.30
0196	1	11.00	7.00
0196	1	11.00	12.30
0197	2	13.50	4.50
0197	2	13.50	9.80
0198	3	16.00	2.00
0198	3	16.00	7.30
0199	4	18.50	4.80

**4UCON** 元化興業股份有限公司  
 4UCON TECHNOLOGY INC.

DRAWING No.		APPROVED BY		UNLESS OTHERWISE SPECIFIED TOLERANCES ARE X .X $\pm 0.25$ X. $\pm 0.25$ .XX $\pm 0.20$ .XX $\pm 0.25$ .XXX $\pm 0.15$ .XXX $\pm 0.5^{\circ}$
15298		EMILY		
		CHECKED BY		
		HZF		
		DRAWING BY		UNIT mm
		HAO		
SCALE	NONE	REV.	A0	

NO.	REV.	DESCRIPTION	CHK	DATE
△ A0		NEW RELEASE	HZF	12/11/2014
		REVISIONS		