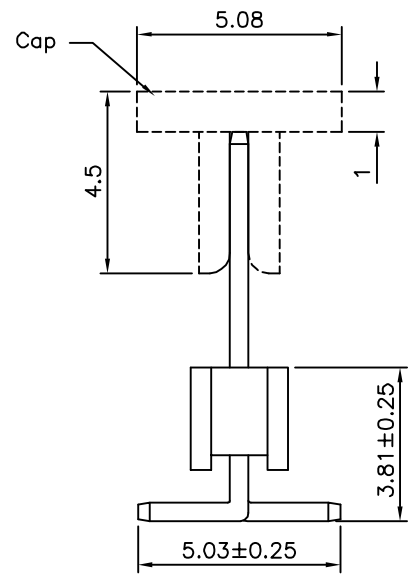
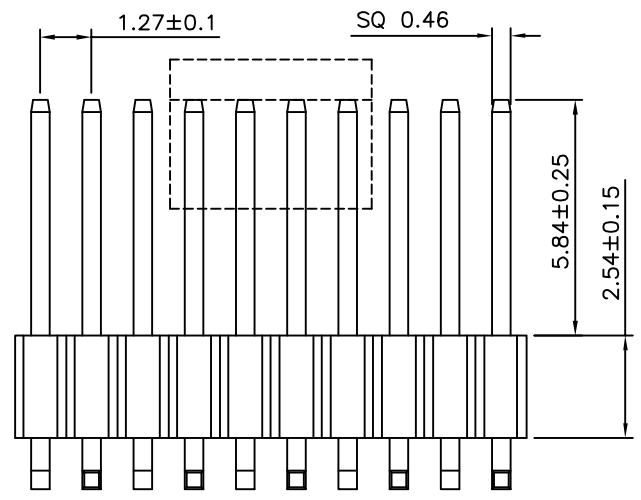
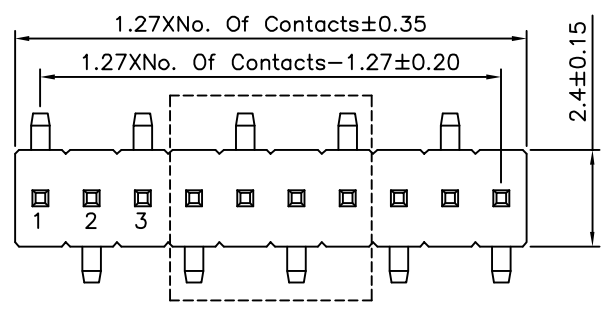


Recommended P.C.B. Layout (Top View)
(PCB Board Tolerance ±0.05)



SPECIFICATION

Current Rating: 1 Amp
 Withstand Voltage: 500V AC
 Contact Resistance: 20 Milliohms Max.
 Insulation Resistance: 1000 Megaohms Min.
 Operating Temperature: -40°C ~ +105°C
 Insulator: PA6T (UL94V-0), Black
 Contact: Brass, Gold Flash Over Nickel
 RoHS Compliant

4UCON 元化興業股份有限公司
 4UCON TECHNOLOGY INC.

DRAWING No.		APPROVED BY		UNLESS OTHERWISE SPECIFIED TOLERANCES ARE X: ±0.25 X*: ±2" .X ±0.20 .X*: ±1.5" .XX ±0.15 .XX*: ±1" .XXX ±0.10 .XXX*: ±0.5"
11274		EMILY		
		CHECKED BY		
		HZF		
		DRAWING BY		
		HAO		
SCALE	NONE	REV.	A0	UNIT
				mm

NO.	REV.	REVISIONS	CHK	DATE
△ A0		NEW RELEASE	HZF	01/01/2015