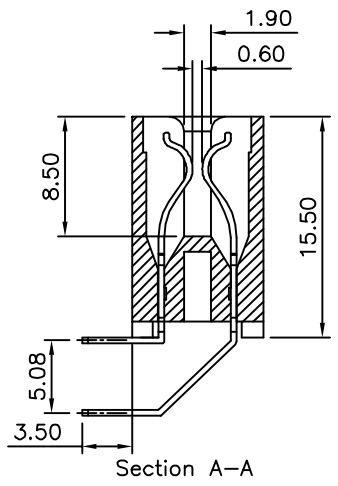
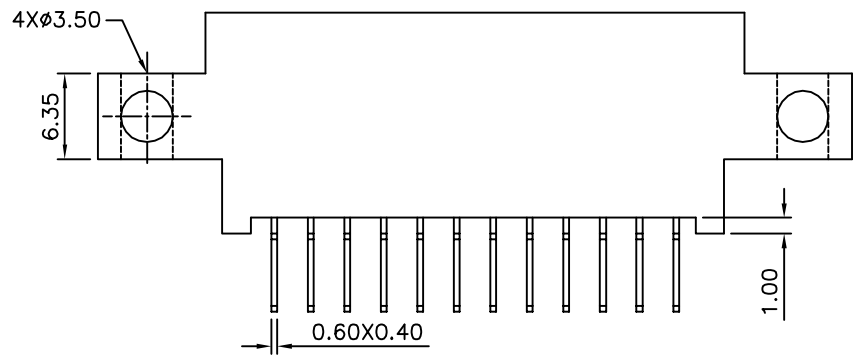
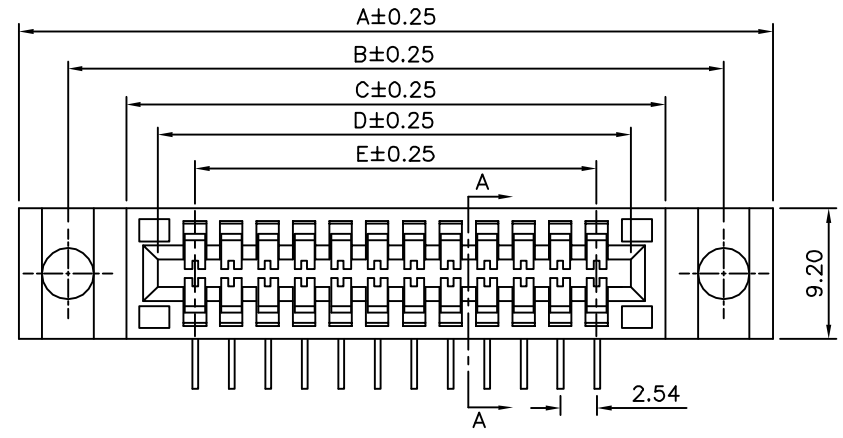


Recommended P.C.B. Layout



SPECIFICATION

Current Rating:3 Amp
 Voltage Rating:800V AC For 1 Minute
 Contact Resistance:20 Milliohms Max.
 Insulation Resistance:5000 Megaohms Min.
 Operation Temperature:-55°C~+105°C
 Insertion Force:412 Grams Max. Per Pair
 Withdrawal Force:32 Grams Min. Per Pair
 Insulator:PBT+G.F.(UL94V-0),Black
 Contact:Phosphor Bronze,Gold Flash On Contacts Area,
 Tin Plated On Solder Tails,Over Nickel
 RoHS Compliant

Pin	A	B	C	D	E
24	51.69	45.09	37.38	33.22	27.94
44	77.09	70.49	62.78	58.62	53.34
48	82.17	75.57	67.86	63.70	58.42
50	84.71	78.11	70.40	66.24	60.96
56	92.33	85.73	78.02	73.86	68.58
60	97.41	90.81	83.10	78.94	73.66
70	110.11	103.51	95.80	91.64	86.36
72	112.65	106.05	98.34	94.18	88.90
86	130.43	123.83	116.12	111.96	106.68
88	133.17	126.57	118.66	114.50	109.22
100	148.21	141.61	133.90	129.74	124.46

4UCON 元化興業股份有限公司
 4UCON TECHNOLOGY INC.

DRAWING No.
 11269

APPROVED BY
 EMILY
 CHECKED BY
 HZF
 DRAWING BY
 HAO

UNLESS OTHERWISE SPECIFIED
 TOLERANCES ARE
 X: ±0.50
 .X ±0.38
 .XX ±0.25

SCALE NONE

REV. A0

UNIT mm

NO. REV. A0 NEW RELEASE HZF 01/15/2015
 REVISIONS CHK DATE