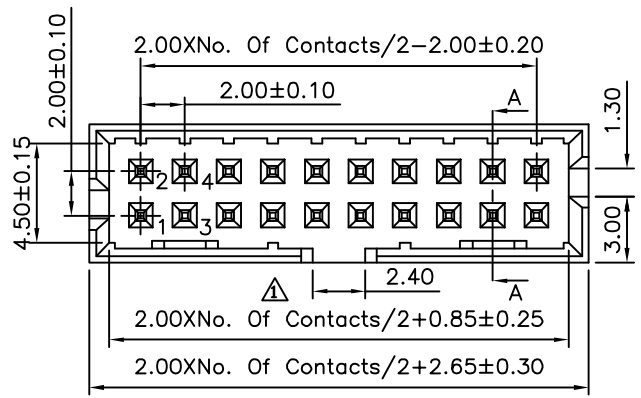
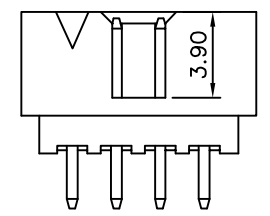
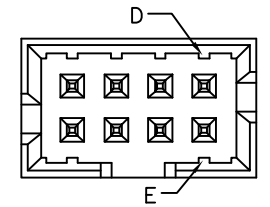
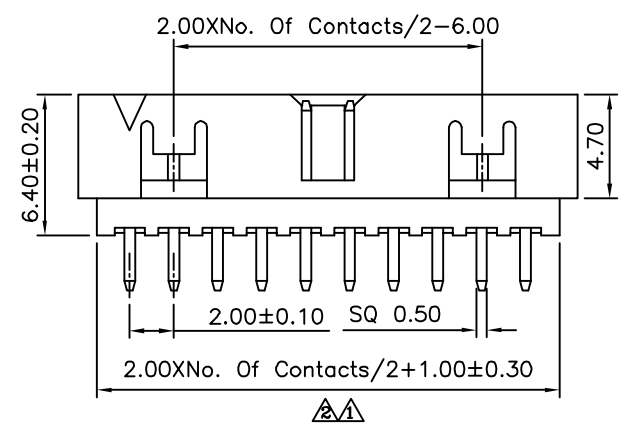


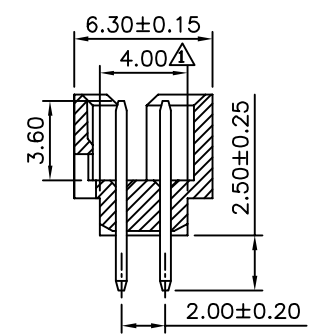
Recommended P.C.B. Layout (Top Side)  
(PCB Board Tolerance ±0.05)



14, 16, 20, 24, 26, 30, 34, 40, 44, 50, 60 Pin



6, 8, 10 Pin  
(6 Pin Without Identification "D", "E")



Section A-A

**SPECIFICATION**

Current Rating: 2.0 Amp  
 Withstand Voltage: 500V AC/DC  
 Contact Resistance: 20 Milliohms Max.  
 Insulation Resistance: 1000 Megaohms Min.  
 Operation Temperature: -40°C ~ +105°C  
 Contact: Brass, Gold Flash Over All, Over Nickel  
 Insulator: PA9T+30%G.F. (UL94V-0), Black  
 RoHS Compliant

**4UCON** 元化興業股份有限公司  
 4UCON TECHNOLOGY INC.

DRAWING No.		APPROVED BY		UNLESS OTHERWISE SPECIFIED TOLERANCES ARE .X ±0.40 .XX ±0.25 .XXX ±0.15 ANG. ±3°
11254		EMILY		
		CHECKED BY		
		HZF		
		DRAWING BY		
		GAO		
SCALE	NONE	REV.	A2	UNIT mm

NO.	REV.	REVISIONS	CHK	DATE
△A2		Modify Data	HZF	11/21/2012
△A1		Modify Data	HZF	07/30/2010
△A0		NEW RELEASE	SHIN	05/23/2007