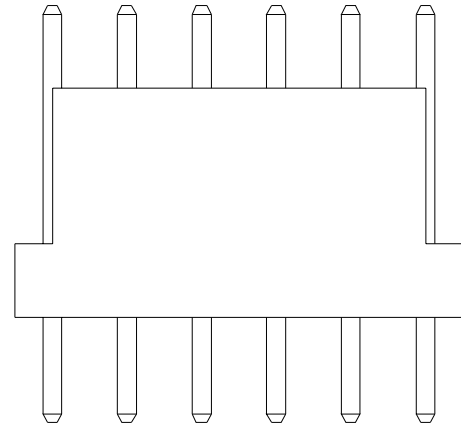
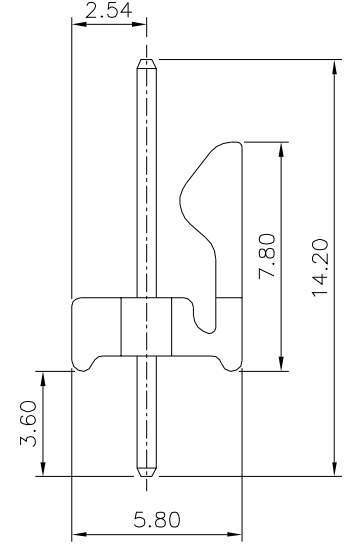
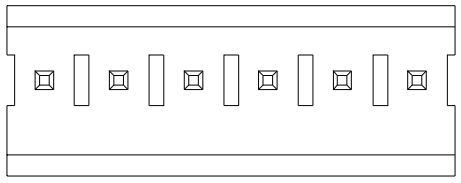
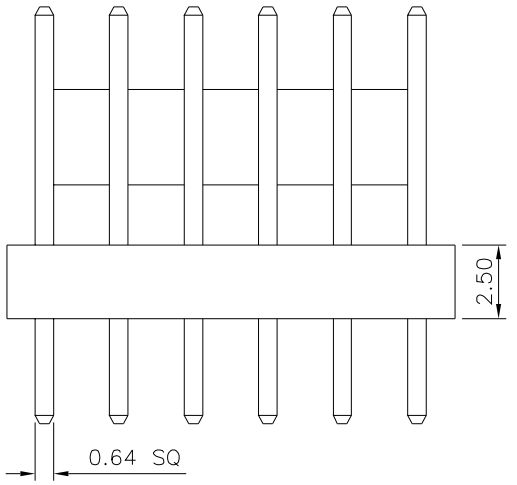
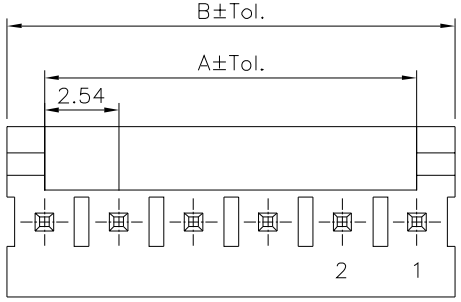


Recommended P.C.B. Layout

SPECIFICATION
 Electrical Rating:UL 250V 2A,AC/DC
 CSA 250V 2A,AC/DC
 Contact:Brass,Tin Plated Over Nickel
 Base:PA66(UL94V-0),White
 RoHS Compliant



Pin	A	B	A&B Tol.
02	2.54	5.08	
03	5.08	7.62	+0.20 -0.10
04	7.62	10.16	
05	10.16	12.70	
06	12.70	15.24	
07	15.24	17.78	+0.30 -0
08	17.78	20.32	
09	20.32	22.86	
10	22.86	25.40	+0.40 -0
11	25.40	27.94	
12	27.94	30.48	
13	30.48	33.02	+0.50 -0
14	33.02	35.56	
15	35.56	38.10	
16	38.10	40.64	+0.60 -0
17	40.64	43.18	
18	43.18	45.72	
19	45.72	48.26	+0.70 -0
20	48.26	50.80	
21	50.80	53.34	
22	53.34	55.88	
23	55.88	58.42	
24	58.42	60.96	
25	60.96	63.50	
26	63.50	66.04	
27	66.04	68.58	
28	68.58	71.12	

4UCON 元化興業股份有限公司
 4UCON TECHNOLOGY INC.

DRAWING No. 09444
 APPROVED BY Jason Wu
 CHECKED BY Leo Han
 DRAWING BY Michelle Lee

SCALE NONE REV. B0 UNIT mm

UNLESS OTHERWISE SPECIFIED TOLERANCES ARE
 .X ±0.30
 .XX ±0.20
 .XXX ±0.10
 ANG. ±2°

NO.	REV.	DESCRIPTION	CHK	DATE
△ B0		NEW RELEASE	HZF	04/07/2026
		REVISIONS		