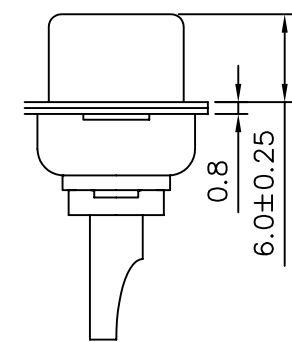
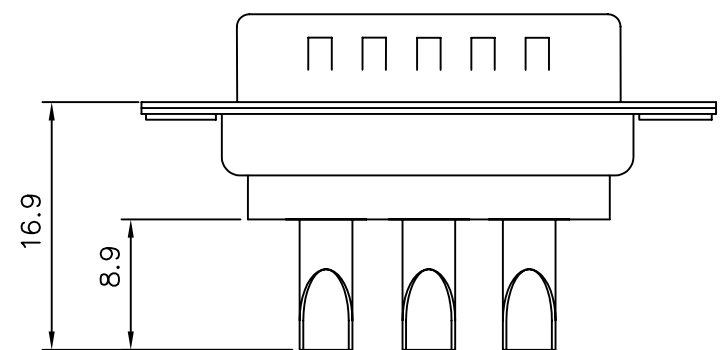
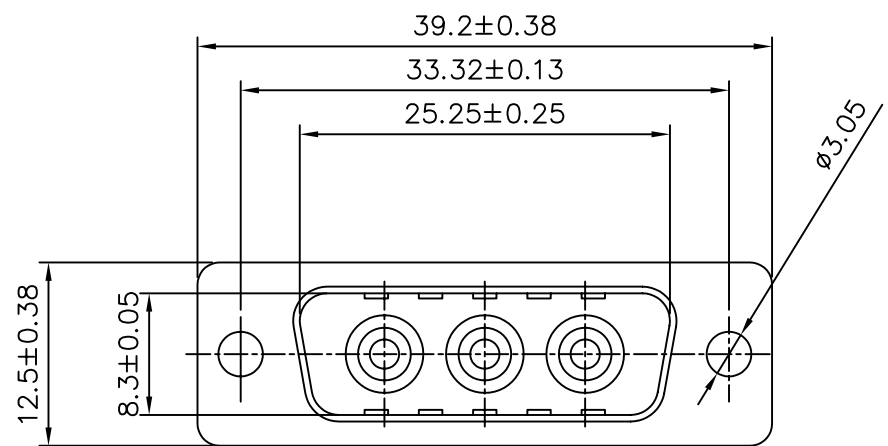


SPECIFICATIONS

High Power Contact Current Rating : 20 Amps
 High Power Contact Resistance : <2.7Milliohms
 Dielectric Withstanding Voltage : 1000VAC/Minute
 Insulation Resistance : >5000Megohms
 Connector Mating And unmating Force : 17.0Kgf Max.
 Durability : 100 Cycles
 Operating temperature : -55°C To +125°C
 Connector Assemblies :
 Shell : Steel,Tin Plated As Standard.
 Insulator : Glass Filled Polyester UL 94V-0.
 Signal Contact When Applicable : Copper Alloy
 Standoff : Copper Alloy,Tin-lead Over Copper
 Bracket : Steel,Nickel Plated.
 Rivnut : Copper Alloy,Nickel Plated
 Locking Clipper : Copper Alloy,Tin-lead Over Copper
 Coaxial Contact Assemblies :
 Insulator : Teflon UL 94V-0 Color White
 Center And Outside Contact : Copper Alloy
 Lock Link : Copper Alloy,Gold Flash Over Nickel



4UCON 元化興業股份有限公司
 4UCON TECHNOLOGY INC.

DRAWING No.
 07462

APPROVED BY MEI
 CHECKED BY BECKY
 DRAWING BY HZF

UNLESS OTHERWISE SPECIFIED
 TOLERANCES ARE
 .X ±0.30
 .XX ±0.25
 ANG.
 UNIT mm

SCALE NONE

REV. A0

NO.	REV.	REVISIONS	CHK	DATE
0	A0	NEW RELEASE	MEI	